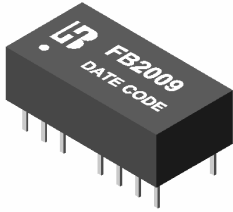


10 BASE-T INTERFACE MODULES

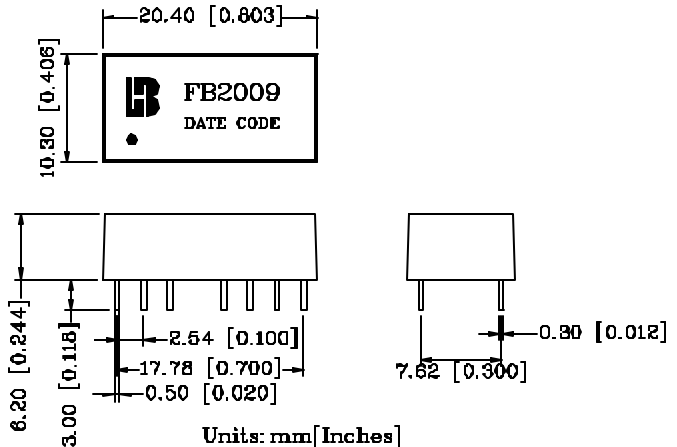
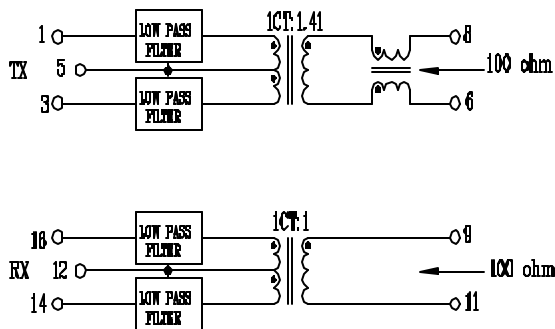
P/N:FB2009 APPLY TO GENERIC IC

Feature



- Available in enhanced or standard design versions.
- Low cost DIP package
- Designed for AMD, DEC, LSI, Motorola, and National transceivers.
- Operating temperature range : 0°C to +70°C.
- Storage temperature range: -25°C to +125°C.

Electrical Specifications @ 25°C							
Part Number	Turns Ratio		CUT-OFF Frequency	Cross talk Attenuation (dB Min)			Voltage Isolation (Vrms)
	TX	RX		1-10 MHz			
FB2009	1CT:1.41	1CT:1	17 MHz ± 1.5MHz	-30			1500
Continue							
Part Number	Insertion Loss TX/RX(dB Max)	Return Loss TX/RX(dB Min)	Attenuation TX/RX(dB Min)				CMR TX / RX (dB Min)
	1-10MHz	1-10MHz	20MHz	25 MHz	30MHz	40MHz	30-100MHz
FB2009	-1.0	-14/-14	-7/-5	-18/-11	-28/-16	-33/-26	-30
Schematic				Mechanical			



Units: mm [Inches]  
 Tolerances: xx.x0±0.25[0.010]  
 0.xx±0.05[0.002]