

10 BASE-T LOW PASS FILTER

P/N: FB2022B-3 DATA SHEET

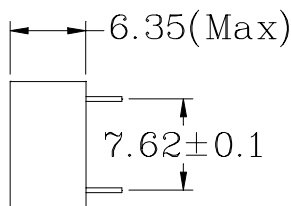
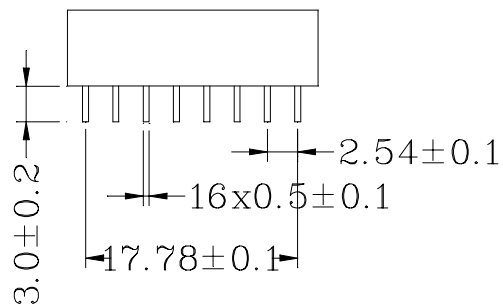
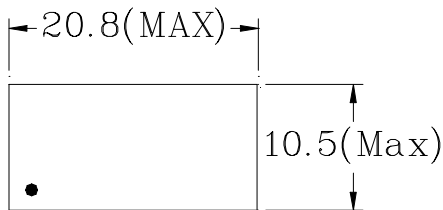
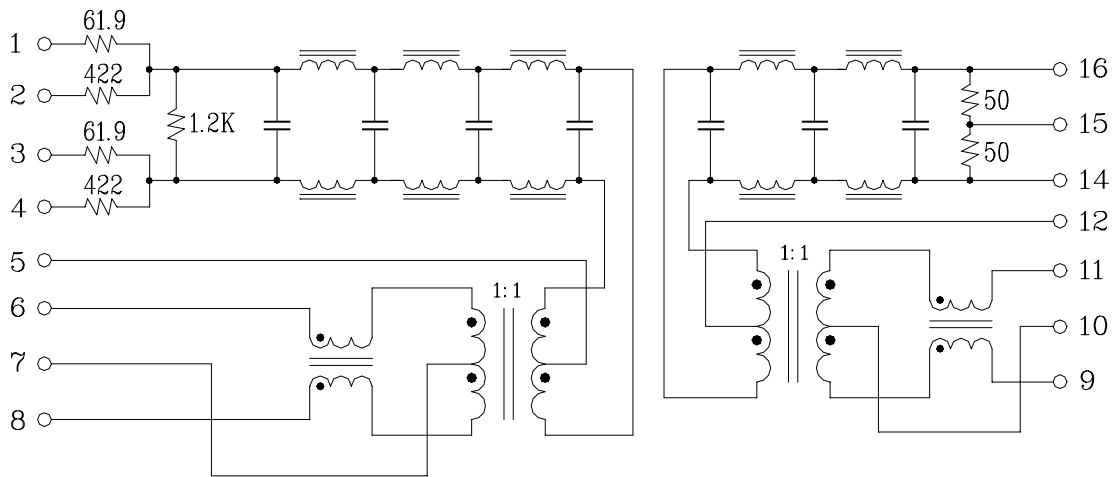
A. ELECTRICAL SPECIFICATIONS @ 25°C:

1. ISOLATION VOLTAGE : 1500Vrms/0.5mA 1Sec.
2. CUT-OFF FREQUENCY, -3dB: 17 MHz ± 0.7MHz
3. INSERTION LOSS (1~10 MHz): -4.5dB Max.
4. RETURN LOSS (1~10MHz): -15dB Min.
5. ATTENUATION:

FREQUENCY	20	25	30	40	50	MHz
TRANSMITTER	7	19	32	35	40	dB
RECEIVER	6	14	20	31	35	dB

6. GROUP DELAY (5~10MHz): 4ns Max.
7. CROSS TALK (1~10 MHz): -45 dB Min.
8. COMMON MODE REJECTION RATIO : -45dB Min. @ 70~100MHz.

B. DIMENSIONS & SCHEMATIC & MARKING: (unit mm)



PIN 1 DOT