

# 10 BASE-T ETHERNET SMD FILTER

P/N: FS2022-1: APPLY TO GENERIC IC

## A. GENERAL SPECIFICATIONS:

1. DESIGNED FOR 10 BASE-T APPLICATION.
2. FULLY COMPATIBLE WITH IEEE 802.3 STANDARD.
3. 16-PIN SMD LOW PROFILE PACKAGE .
4. OPERATING TEMP RANGE : 0°C TO 70°C.
5. STORAGE TEMP RANGE: -25°C TO +125°C.

## B. ELECTRICAL SPECIFICATIONS @ 25°C:

1. TURN RATIO: TX=1CT: 1CT, RX=1CT: 1CT
2. HI-POT: 1500 Vrms
3. CUT-OFF FREQ: 17 MHz +/- 1.5MHz
4. INSERTION LOSS (1-10 MHz): -1.0dB MAX (TX & RX)
5. ATTENUATION 20MHz 25MHz 30MHz 40MHz  
 TRANSMITTER -7 -18 -28 -33  
 RECEIVER -5 -11 -16 -26 (dB MIN)

### 6. RETURN LOSS:

FREQUENCY	TX	RX
5-10MHz	-15	-15 (dB MIN)

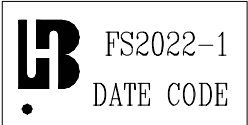
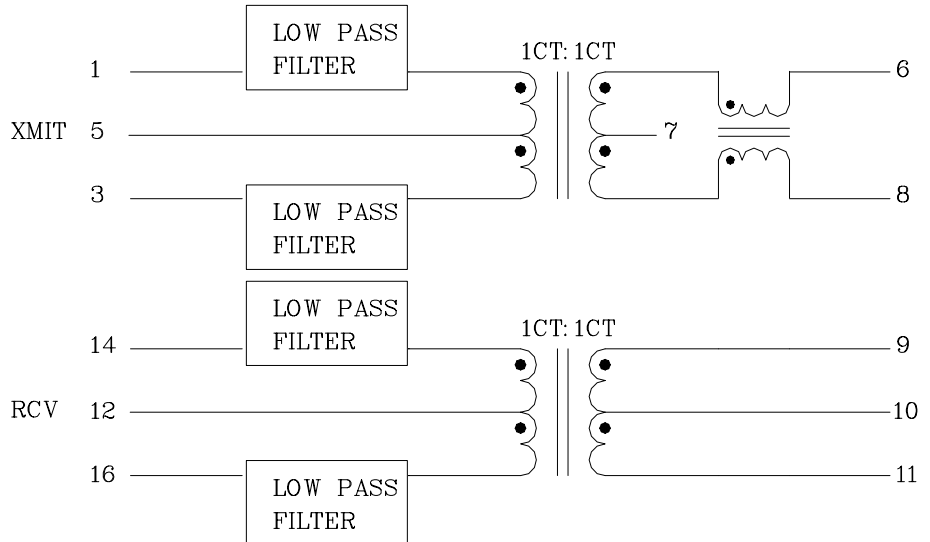
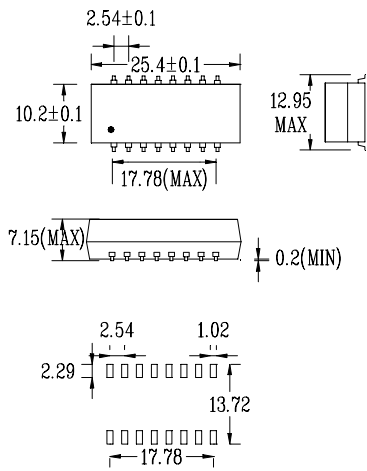
### 7. DIFFERENTIAL TO COMMON MODE

REJECTION:

FREQUENCY	TX	RX
5MHz	-40	-40 (dB MIN)
10MHz	-30	-30
50MHz	-50	-50
100MHz	-45	-45

### 8. CROSSTALK ATTEN (5-10 MHz): -35 dB (MIN)

## C. DIMENSIONS & SCHEMATIC: (unit mm)



PIN 1 DOT