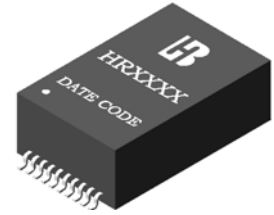


HOME LAN NETWORKING BANDPASS FILTERS

462 Boston St - Topsfield, MA 01983 - Phone: 978-887-8050 - Fax: 978-887-5434

- For use with Broadcom's® iLine 10™ chipset(BCM4100 and BCM4210)
- Designed to withstand 235°C peak infrared reflow temperature.
- Includes isolation and EMI filtering.
- HR6013 is designed with 2KV ,1000pF capacitor
- Storage temperature range: -40°C to +125°C.

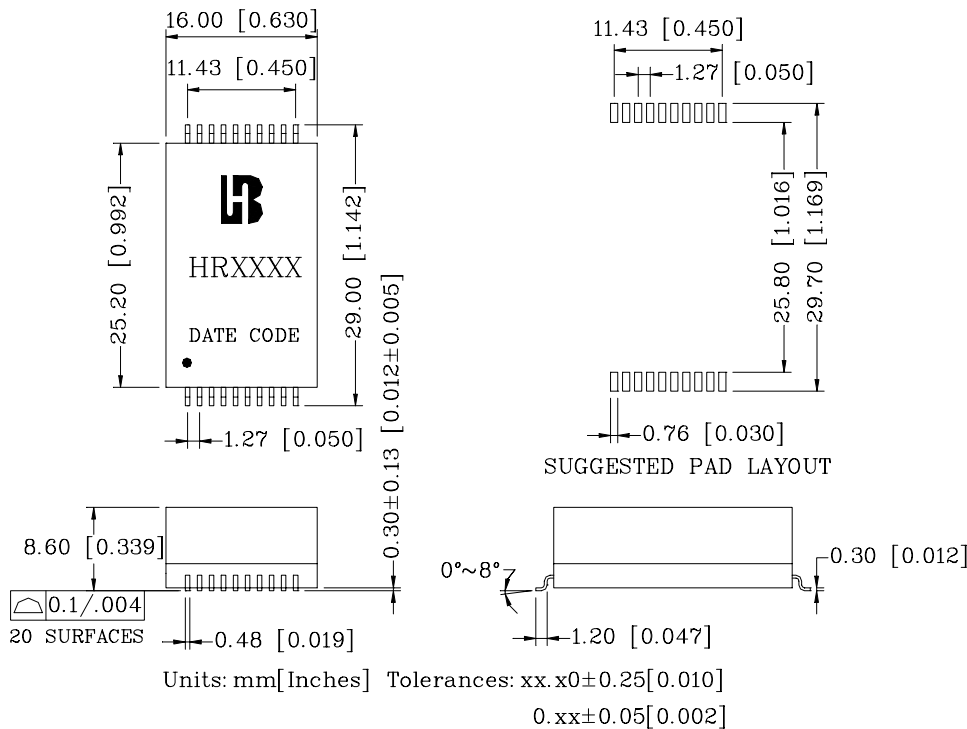


Electrical specifications @ 25°C Operating Temperature range: 0°C to +70°C.

Note:“*” Operating temperature range : -40°C to +85°C

Part Number	Insertion Loss (dB Max)	Return Loss (dB Min)			Attenuation (dB Min)			Common to Differential Mode Rejection(dB Min)	Isolation (Vrms)
		4.25-9.75MHz	6MHz	8MHz	9MHz	1.1 MHz	22MHz		
HR5770	-2.2	-5	-9.5	-9.5	-60	-35	-50	-40	1500
HR6013	-2.2	-5	-9.5	-9.5	-60	-35	-50	-40	1500
HR6013M*	-2.2	-5	-9.5	-9.5	-60	-35	-50	-40	1500

Mechanicals

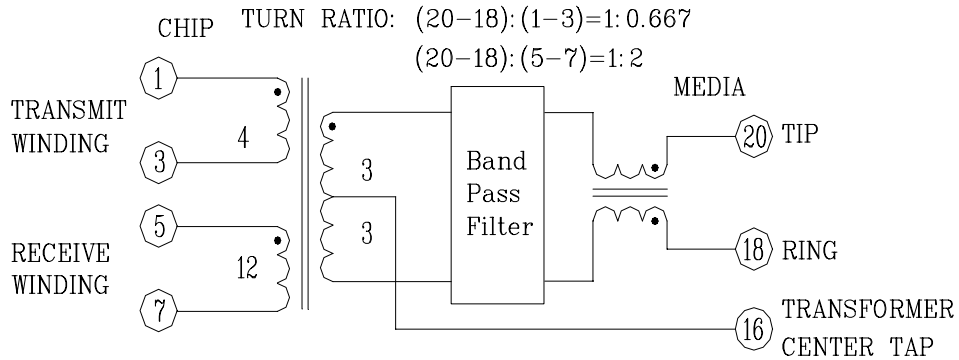


HOME LAN NETWORKING BANDPASS FILTERS

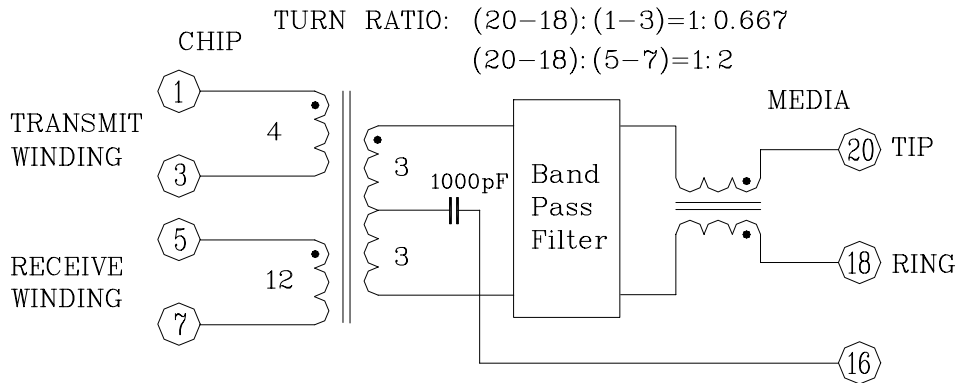
462 Boston St - Topsfield, MA 01983 - Phone: 978-887-8050 - Fax: 978-887-5434

Schematics

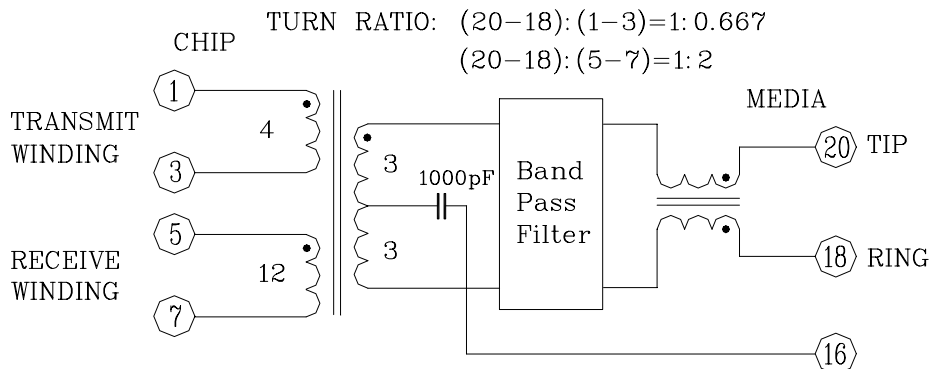
HR5770



HR6013



HR6013M



Note: input impedance is measured across pins 18 to 20 with a 44.2 Ω load across pins 1 and 3