

**“LAN-MATE” SERIES**

**SINGLE RJ45 CONNECTOR MODULE WITH INTEGRATED 1000 BASE-T MAGNETICS AND LEDS**

P/N:LA1E109-4D1 LF

Page : 1/2

**Feature**



- RJ-45 needs to be matched FCC standard
- Isolation @ 60Hz: Input to output:1500Vrms.
- Comply with RoHS requirements-whole part No Cd, No Hg, No Cr6+, No PBB and PBDE and No Pb on external pins.
- Operating temperature range: 0 to +70 .
- Storage temperature range: -25 to +85 .
- Recommended panel

| Part Number | Standard LED   | Forward*V(Max) | (TYP) |
|-------------|----------------|----------------|-------|
| 4           | GREEN          | 2.6V           | 2.2V  |
| D1          | GREEN & YELLOW | 2.6V           | 2.2V  |

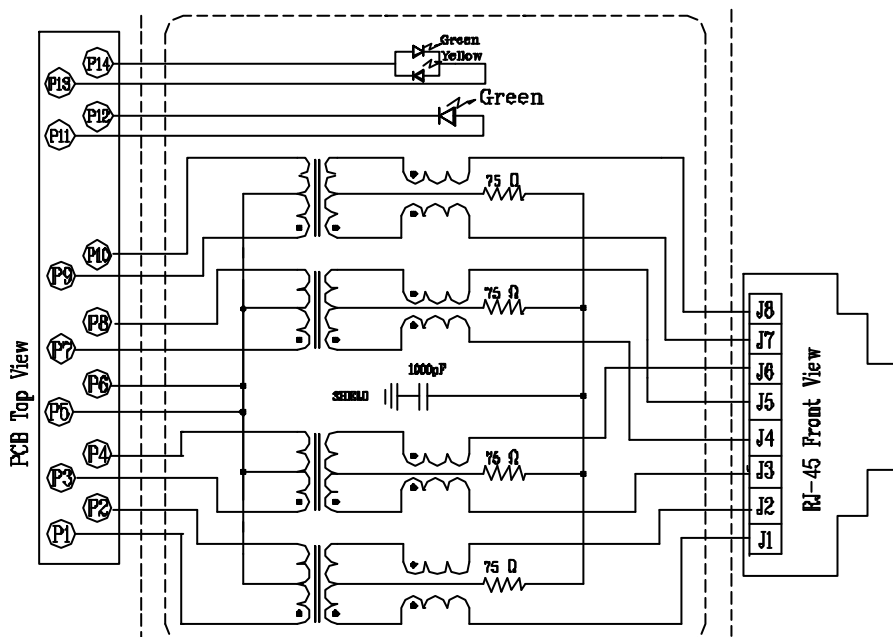
\*with a forward current of 20mA

| Electrical Specifications @ 25°C |                   |         |  |                     |          |           |               |
|----------------------------------|-------------------|---------|--|---------------------|----------|-----------|---------------|
| Part Number                      | Turns Ratio (±5%) |         | OCL (uH Min) @100KHz/0.1V with 8mA DC Bias | Cross talk (dB Min) |          |           | HI-POT (Vrms) |
|                                  | TX                | RX      |  | 0.3-30MHz           | 30-60MHz | 60-100MHz |               |
| LA1E109-4D1 LF                   | 1CT:1CT           | 1CT:1CT | 350  | -40                 | -35      | -30       | 1500          |

| Continue       |                         |                                 |          |          |          |              |          |           |
|----------------|-------------------------|---------------------------------|----------|----------|----------|--------------|----------|-----------|
| Part Number    | Insertion Loss (dB Max) | Return Loss (dB Min) @ Load 100 |          |          |          | CMR (dB Min) |          |           |
|                | 1-100MHz                | 1-30MHz                         | 30-40MHz | 40-50MHz | 50-80MHz | 1-30MHz      | 30-60MHz | 60-125MHz |
| LA1E109-4D1 LF | -1.0                    | -16                             | -13.5    | -11.5    | -10      | -30          | -25      | -20       |

**Schematic**

Block Circuit x 1 set in LA1E109-4D1 LF

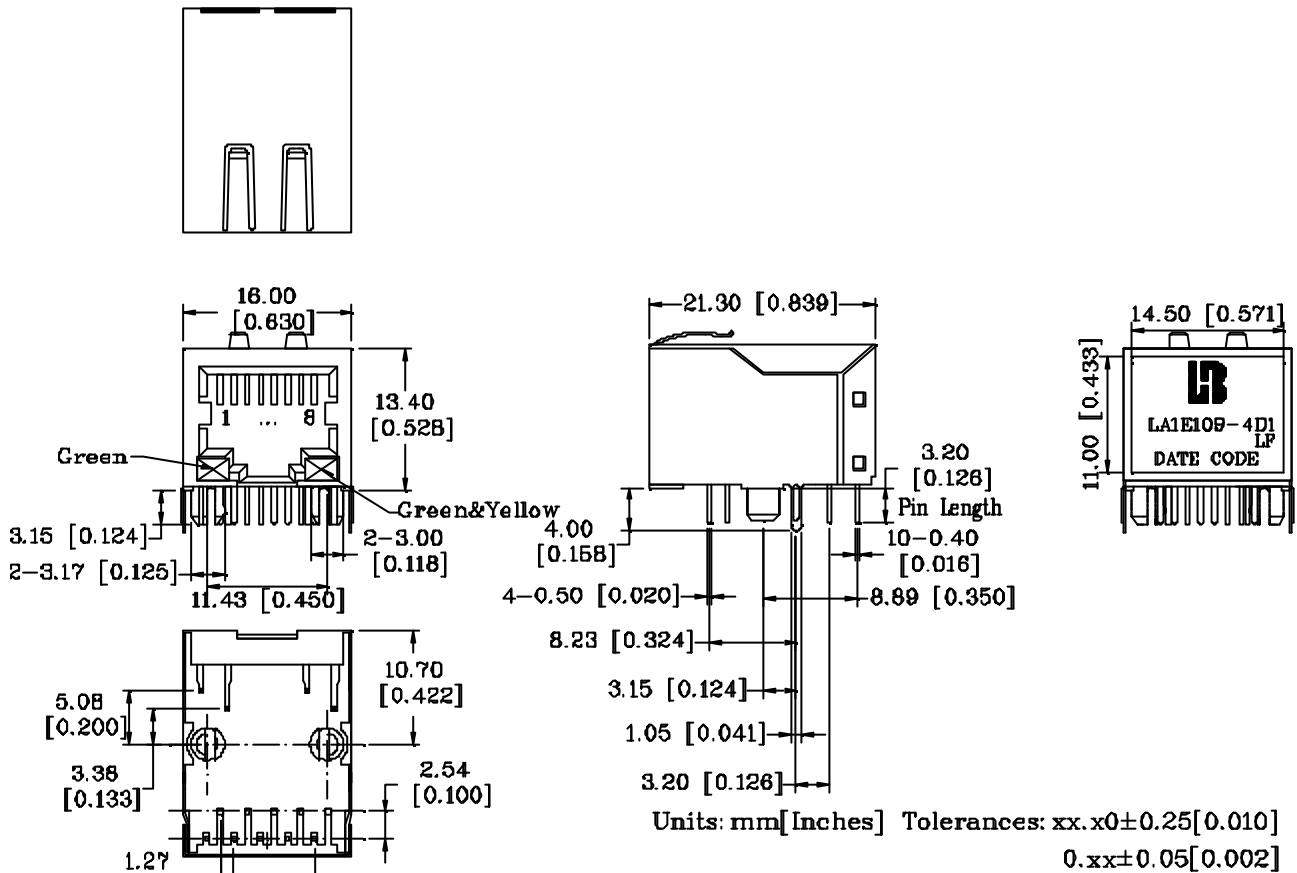


**“LAN-MATE” SERIES**

**SINGLE RJ45 CONNECTOR MODULE WITH INTEGRATED 1000 BASE-T MAGNETICS AND LEDS**

P/N:LA1E109-4D1 LF

**Mechanical**



- 1. Plastic Material : Thermoplastic (UL 94V-0), Black Housing
- 2. Metal Shield : Brass, 20u" inches thick Nickel
- 3. Spring Wire : Phosphor bronze with selective gold plating
- 4. Solder Pin : 0.4x0.4mm, Phosphor bronze with solder Plated
- 5. Durability : 750 Mating cycles Min.

**PCB Layout Mounting Hole(Top View)**

