

**Feature**



- Isolation @ 60Hz : Input to output:1500Vrms
- Operating temperature range: 0°C to +70°C
- Storage temperature range: -25°C to +125°C

**Electrical Specifications @ 25°C**

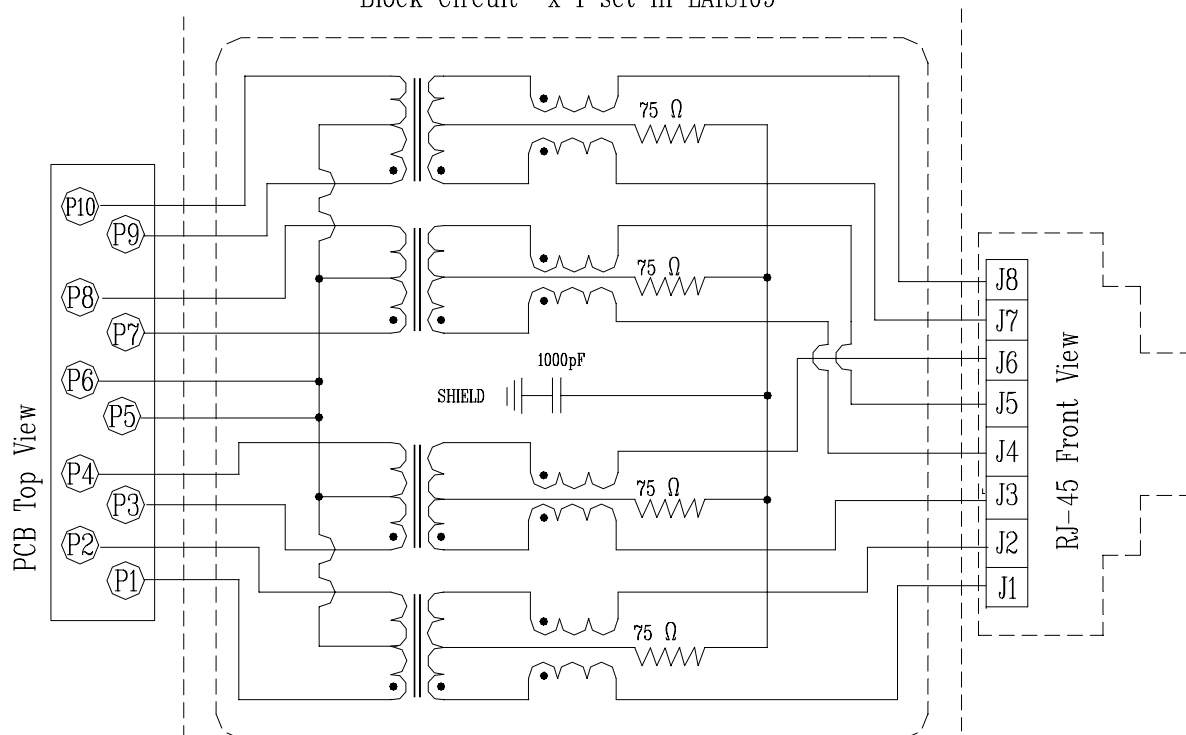
Part Number	Turns Ratio (±5%)		Primary inductance (uH Min) @ 100KHz/0.1Vrms with 8mA DC Bias	Voltage isolation (Vrms)
	TX	RX		
LA1S109	1CT:1CT	1CT:1CT	350	1500

**Continue**

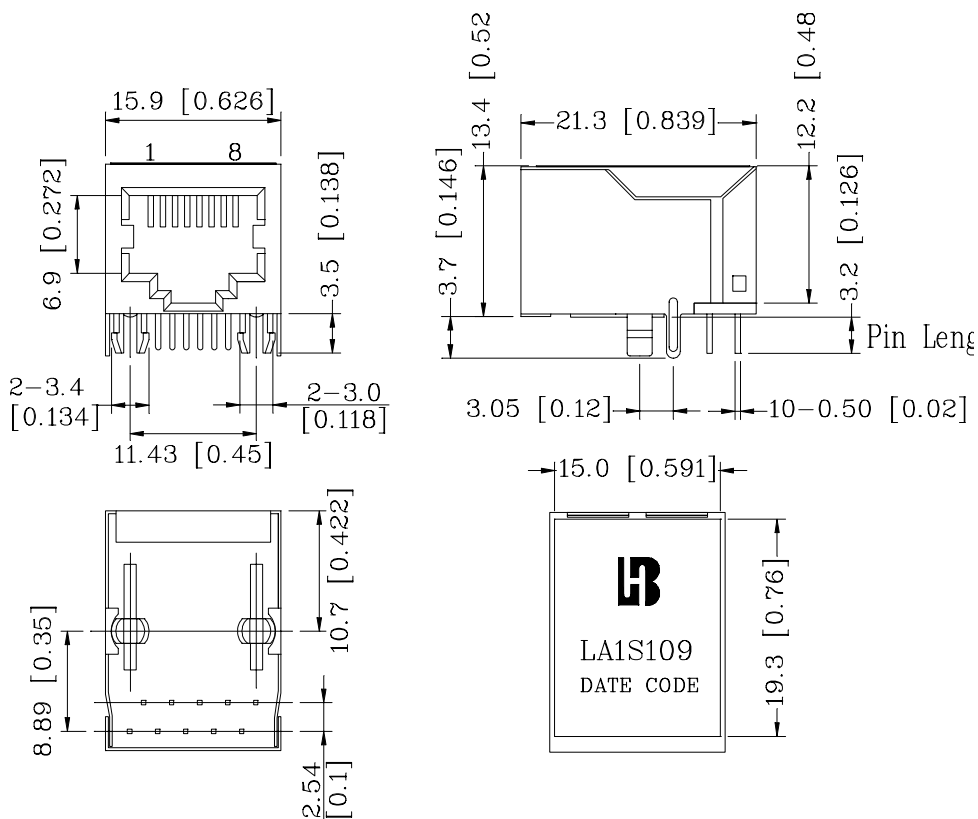
Part Number	Insertion Loss (dB Max.)	Return Loss (dB Max) @ Load 100Ω				Cross talk (dB Min.)			CMRR (dB Min)
		1-30MHz	30-40MHz	40-50MHz	50-80MHz	1-30MHz	30-60MHz	60-100MHz	
LA1S109	-1.0	-16	-13.5	-11.5	-10	-40	-38	-33	-30

**Schematic**

Block Circuit x 1 set in LA1S109



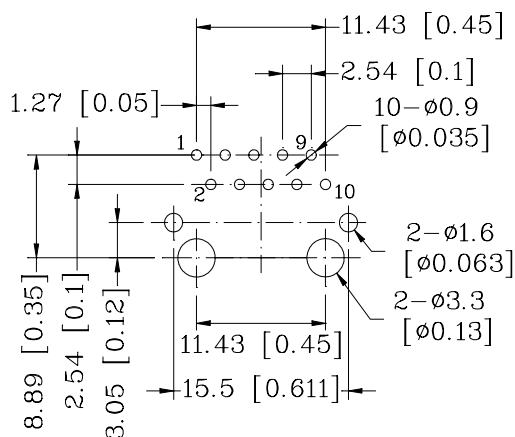
**Mechanical**



Units : mm[Inches] Tolerances : 0.X ±0.25[0.01]  
 0.xx ±0.05[0.002]

1. Plastic Material : PBT 15% Glass Filled(UL 94V-0), Black Housing
2. Metal Shield : Brass C2680-H, 20u Nickel Plated, t=0.25mm
3. Spring Wire : 0.45mm Dia. Phosphor bronze with 6u gold plated
4. Solder Pin : 0.4x0.4mm, Phosphor bronze with solder Plated
5. Durability : 300 Mating cycles Min.

**PCB Layout Mounting Hole(Top View)**



Units : mm[Inches]  
 Tolerances : 0.X ±0.25[0.01]  
 0.xx ±0.05[0.002]