

1X4 RJ45 CONNECTOR MODULE WITH INTEGRATED 1000 BASE T MAGNETICS & LEDS

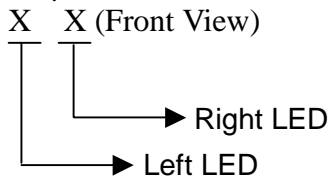
P/N:LA4T109-XX "LAN-MATE" SERIES

Feature



- Isolation @ 60Hz : Input to output:1500Vrms
- Operating temperature range: 0°C to +70°C
- Storage temperature range: -40°C to +85°C
- Recommended panel

Example Part Number Format:



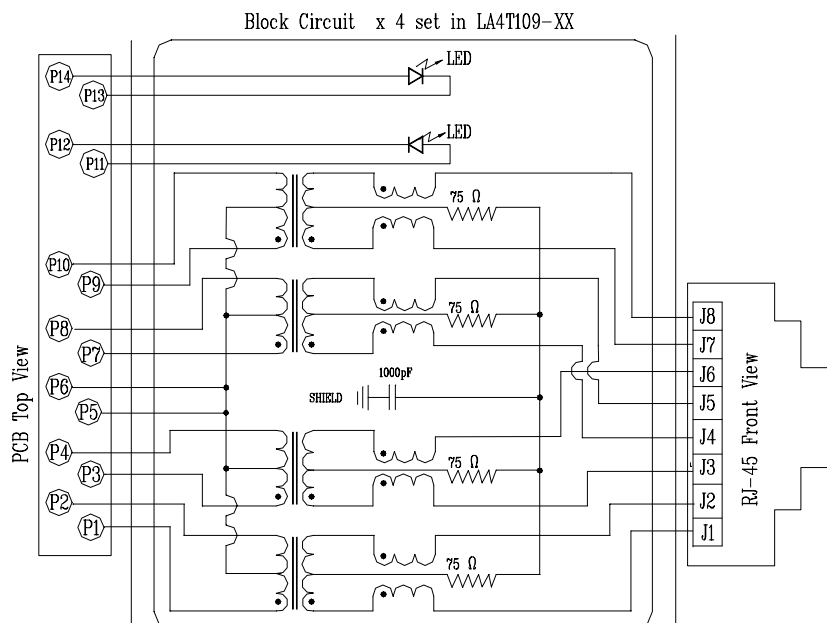
Part Number	Standard LED	Forward*V(Max)	(TYP)
3	YELLOW	2.5V	2.1V
4	GREEN	2.5V	2.2V

*with a forward current of 20mA

Electrical Specifications @ 25°C				
Part Number	Turns Ratio (±5%)		Primary inductance (uH Min) @ 100KHz/0.1Vrms with 8mA DC Bias	Voltage isolation (Vrms)
	TX	RX		
LA4T109-XX	1CT:1CT	1CT:1CT	350	1500

Continue									
Part Number	Insertion Loss (dB Max)	Return Loss (dB Max) @ Load 100 Ω				Cross talk (dB Min)			CMRR (dB Min)
		1-100MHz	1-30MHz	30-40MHz	40-50MHz	50-80MHz	1-30MHz	30-60MHz	
LA4T109-XX	-1.0	-16	-13.5	-11.5	-10	-40	-38	-33	-30

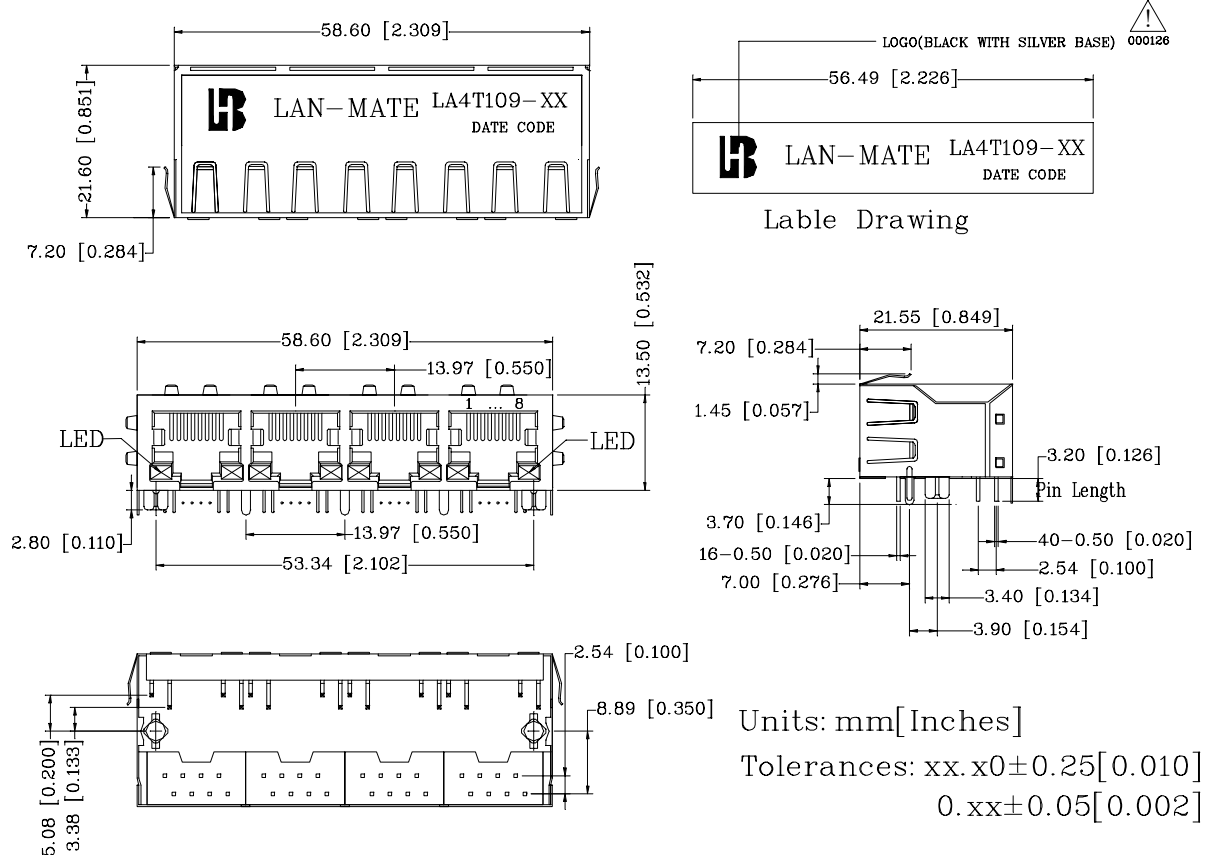
Schematic



1X4 RJ45 CONNECTOR MODULE WITH INTEGRATED 1000 BASE T MAGNETICS & LEDS

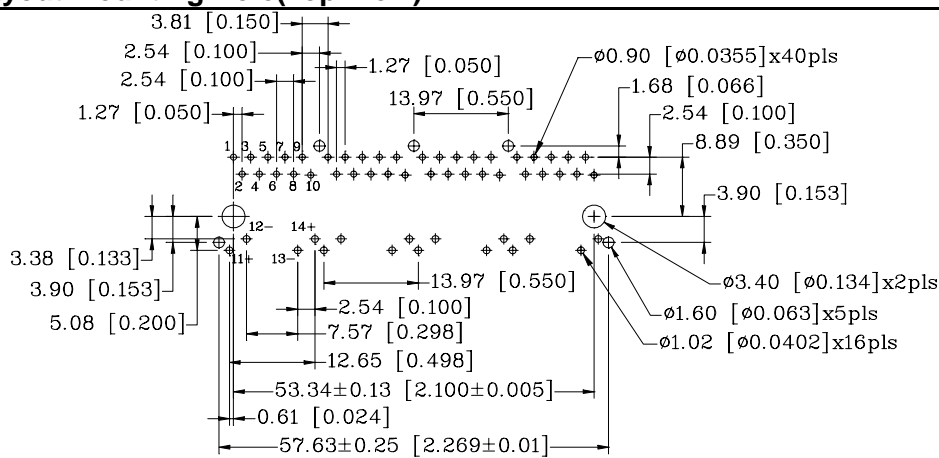
P/N:LA4T109-XX "LAN-MATE" SERIES

Mechanical



- 1. Plastic Material : PBT 15% Glass Filled(UL 94V-0), Black Housing
- 2. Metal Shield : Brass C2680-H, 20u Nickel Plated, t=0.25mm
- 3. Spring Wire : 0.45mm Dia. Phosphor bronze with 6u gold plated
- 4. Solder Pin : 0.4x0.4mm, Phosphor bronze with solder Plated
- 5. Durability : 300 Mating cycles Min

PCB Layout Mounting Hole(Top View)



Units: mm [Inches] Tolerances: xx.x0±0.25 [0.010]
 0.xx±0.05 [0.002]