



LC1T010

“LAN-MATE” SERIES

SINGLE RJ45 CONNECTOR MODULE WITH COMMON MODE CHOKE

P/N: LC1T010

Page : 1/2

Feature



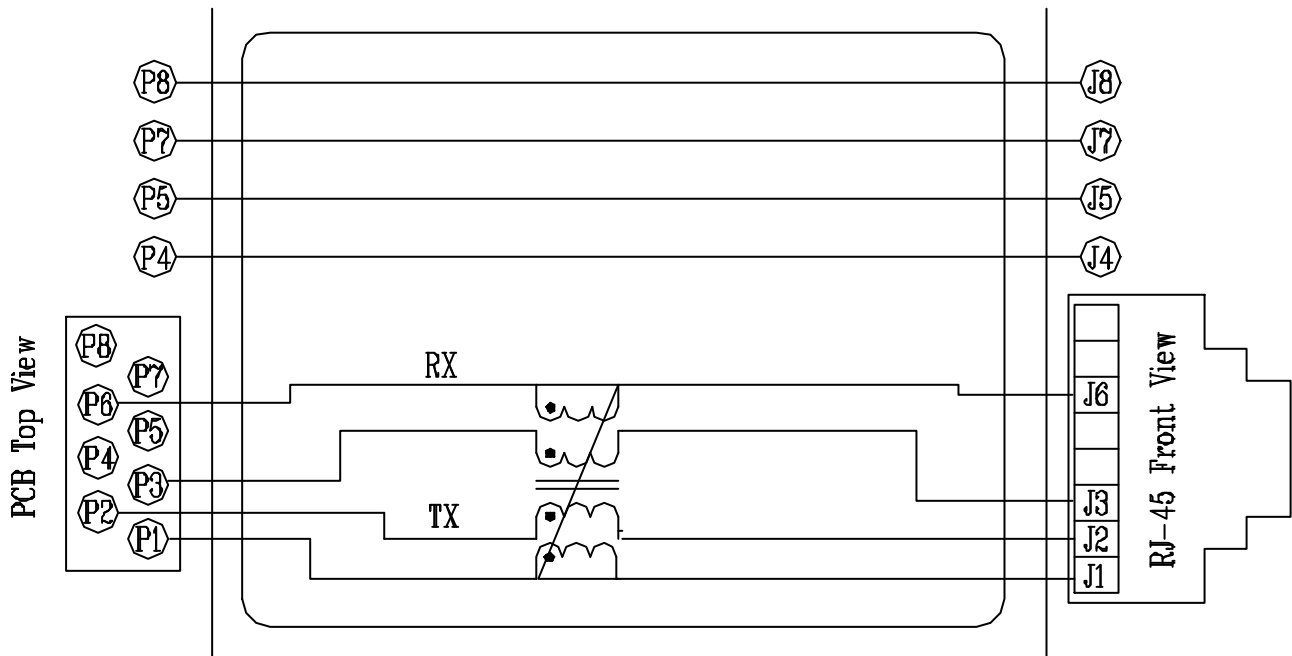
- RJ-45 connector integrated with.
- Size same as RJ-45 connector to save PCB board space.
- Reduced EMI radiation to improve EMI performance
- Meeting 10/100 BASE transmission over UTP-5 cable
- Rating temperature range: 0 to +70 .
- Storage temperature range: -25 to +125 .

Electrical Specifications @ 25° C

Part Number	OCL (uH Min)	Common mode Attenuation(dB Min)								DCR (Max)
		1MHz	10MHz	20MHz	40MHz	60MHz	80MHz	100MHz	125MHz	
LC1T010	20	-4.0	-8.0	-9.5	-11.0	-13.0	-11.5	-12.5	-13	0.2

Schematic

Block Circuit x 1 set in LC1T010





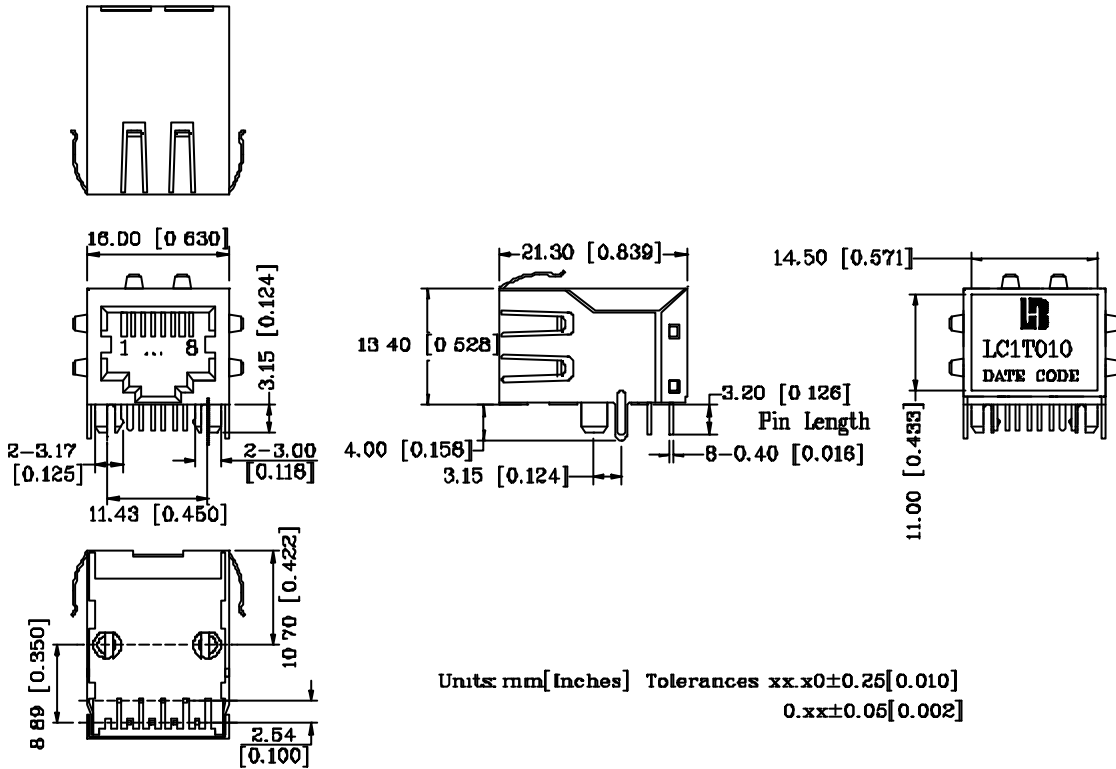
LC1T010

“LAN-MATE” SERIES

SINGLE RJ45 CONNECTOR MODULE WITH COMMON MODE CHOKE

P/N: LC1T010

Mechanical



- 1. Plastic Material : Thermoplastic (UL 94V-0), Black Housing
- 2. Metal Shield : Brass, 20u" inches thick Nickel
- 3. Spring Wire : Phosphor bronze with selective gold plating
- 4. Solder Pin : 0.4x0.4mm, Phosphor bronze with solder Plated
- 5. Durability : 750 Mating cycles Min.

PCB Layout Mounting Hole(Top View)

