

“LAN-MATE” SERIES

SINGLE RJ45 CONNECTOR MODULE WITH INTEGRATED 10 BASE T MAGNETICS & FILTER

P/N : LF1S022-43

Page : 1/2

Feature

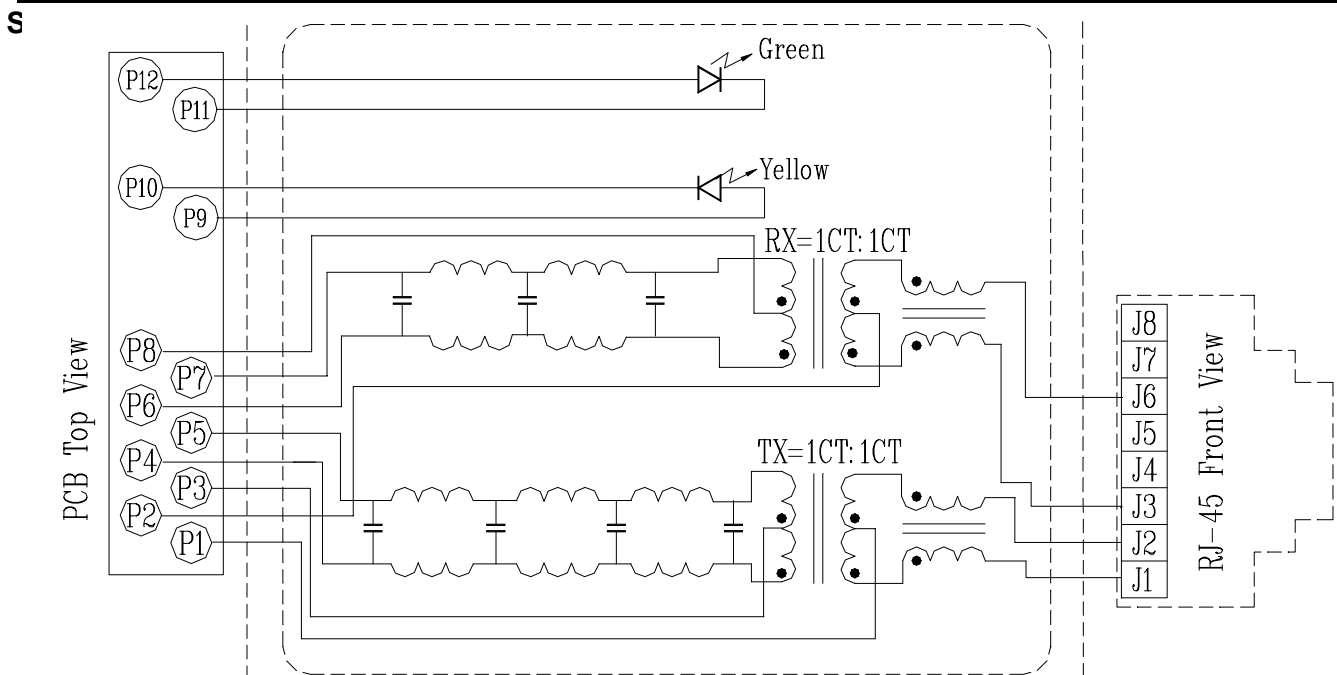


- RJ-45 connector integrated with filter.
- Size same as RJ-45 connector to save PCB Board space.
- Reduce EMI radiation, improve EMI performance.
- Operating temperature range: 0°C to +70°C.
- Storage temperature range: -40°C to +85°C.

Standard LED	Forward*V(Max)	Typ
Yellow	2.5V	2.1V
Green	2.5V	2.2V

Part Number	Turns Ratio (±5%)		Type (POLE)		CUT OFF Frequency (TX/RX)	Voltage isolation (Vrms)
	TX	RX	TX	RX		
LF1S022-43	1CT:1CT	1CT:1CT	7	5	17 MHz±1 MHz	1200

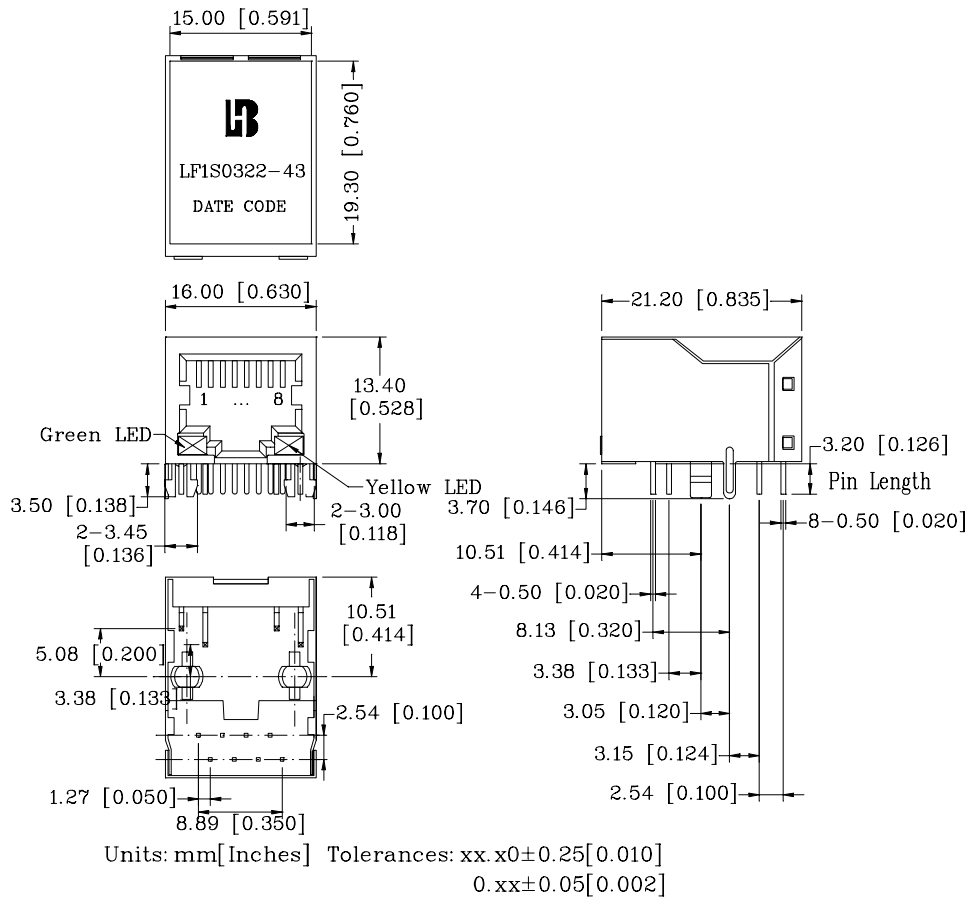
Part Number	Insertion Loss	Return Loss	Attenuation				Cross talk Attenuation	Common Mode Rejection
	TX/RX(dB Max.)	TX/RX(dB Min)	TX/RX(dB Max)	TX/RX(dB Max)	TX/RX(dB Max)	TX/RX(dB Max)	TX/RX(dB Min)	TX/RX (dB Min)
LF1S022-43	1-10MHz	5-10MHz	20MHz	25MHz	30MHz	40MHz	1-10MHz	30-100MHz
	-1.0	-13.5	-5/-4.2	-18/-11	-28/-16	-33/-26	-30/-30	-30/-30



SINGLE RJ45 CONNECTOR MODULE WITH INTEGRATED 10 BASE T MAGNETICS & FILTER

P/N : LF1S022-43

Mechanical



1. Plastic Material : PBT 15% Glass Filled(UL 94V-0), Black Housing
2. Metal Shield : Brass C2680-H, 20u Nickel Plated, t=0.25mm
3. Spring Wire : 0.45mm Dia. Phosphor bronze with 6u gold plated
4. Solder Pin : 0.4x0.4mm, Phosphor bronze with solder Plated
5. Durability : 300 Mating cycles Min.

PCB Layout

