

**SINGLE RJ45 CONNECTOR MODULE WITH INTEGRATED 10 BASE T MAGNETICS & FILTER**

P/N : LF1S028

Page : 1/2

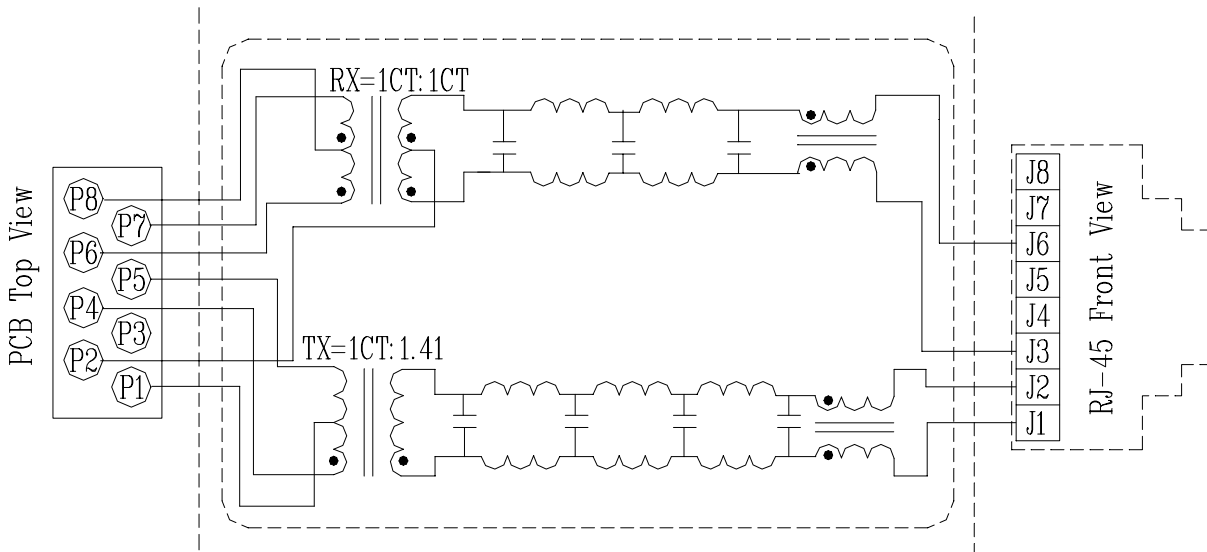
**Feature**



- RJ-45 connector integrated with filter .
- Size same as RJ-45 connector to save PCB Board space.
- Reduce EMI radiation, improve EMI performance.
- Operating temperature range: 0°C to +70°C.
- Storage temperature range: -25°C to+125°C.

Electrical Specifications @ 25°C								
Part Number	Turns Ratio (±5%)		Type (POLE)		CUT OFF Frequency (TX/RX)	HI-POT (Vrms)		
	TX	RX	TX	RX				
LF1S028	1CT:1.41	1CT:1CT	7	5	17 MHz±1.5 MHz	1200		
Continue								
Part Number	Insertion Loss (dB Max) TX/RX	Return Loss (dB Min) TX/RX	Attenuation (dB Min) TX/RX				Cross talk Attenuation (dB Min) TX/RX	CMR (dB Min) TX/RX
	1-10MHz	5-10MHz	20MHz	25MHz	30MHz	40MHz	1-10MHz	30-100MHz
LF1S028	-1.15	-16	-5/-4.2	-18/-11	-28/-16	-33/-26	-30/-30	-30/-30

**Schematic**

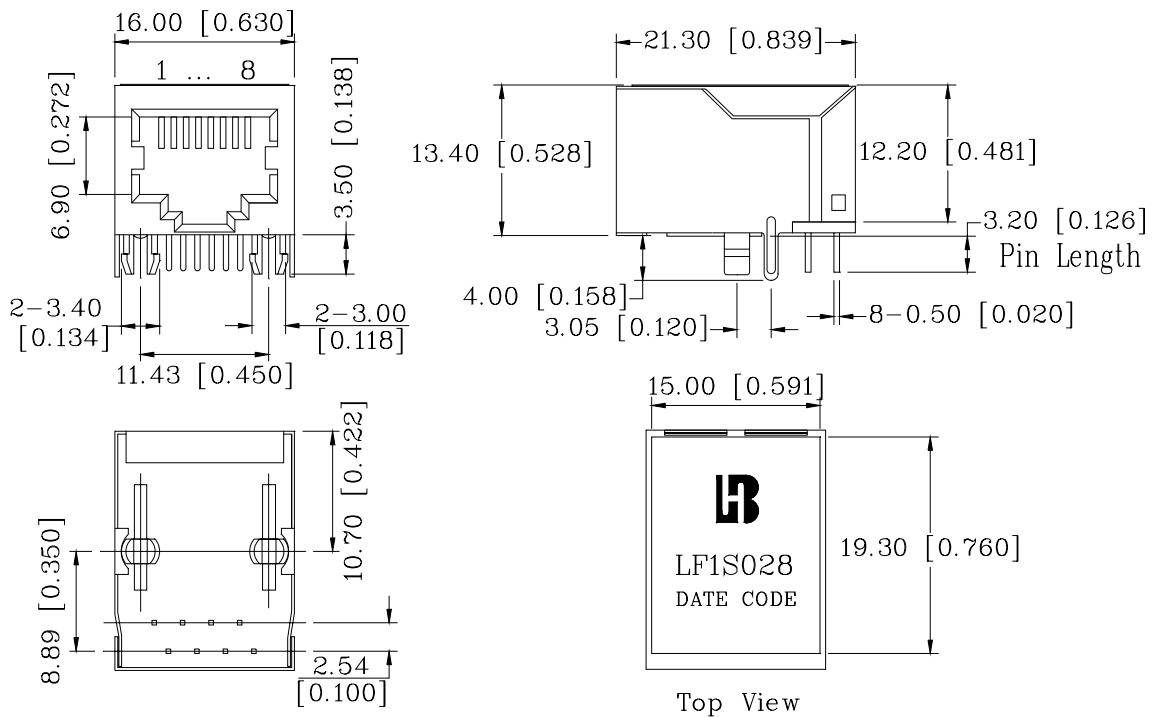


**SINGLE RJ45 CONNECTOR MODULE WITH INTEGRATED 10 BASE T MAGNETICS & FILTER**

P/N : LF1S028

Page : 2/2

**Mechanical**

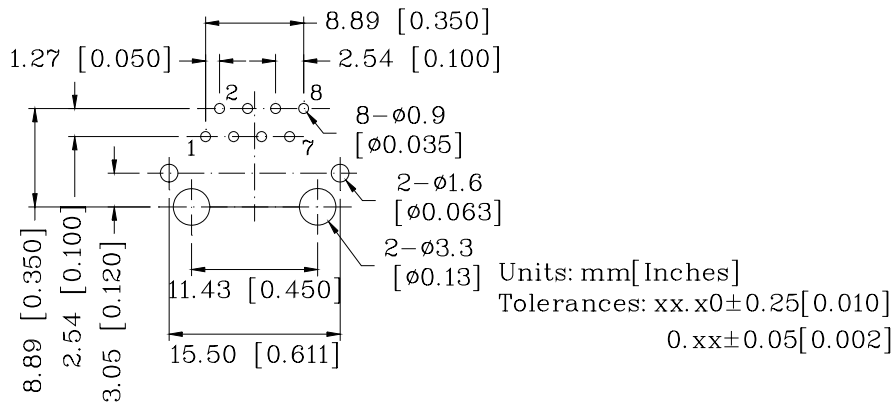


Units: mm[Inches] Tolerances: xx.x0±0.25[0.010]

0.xx±0.05[0.002]

1. Plastic Material : PBT 15% Glass Filled(UL 94V-0), Black Housing
2. Metal Shield : Brass C2680-H, 20u Nickel Plated, t=0.25mm
3. Spring Wire : 0.45mm Dia. Phosphor bronze with 6u gold plated
4. Solder Pin : 0.4x0.4mm, Phosphor bronze with solder Plated
5. Durability : 300 Mating cycles Min.

**PCB Layout Mounting Hole(Top View)**



Units: mm[Inches]  
Tolerances: xx.x0±0.25[0.010]  
0.xx±0.05[0.002]