

**“LAN-MATE” SERIES**

**SINGLE RJ45 CONNECTOR MODULE WITH INTEGRATED 10 BASE T MAGNETICS**

**P/N : LT1S001**

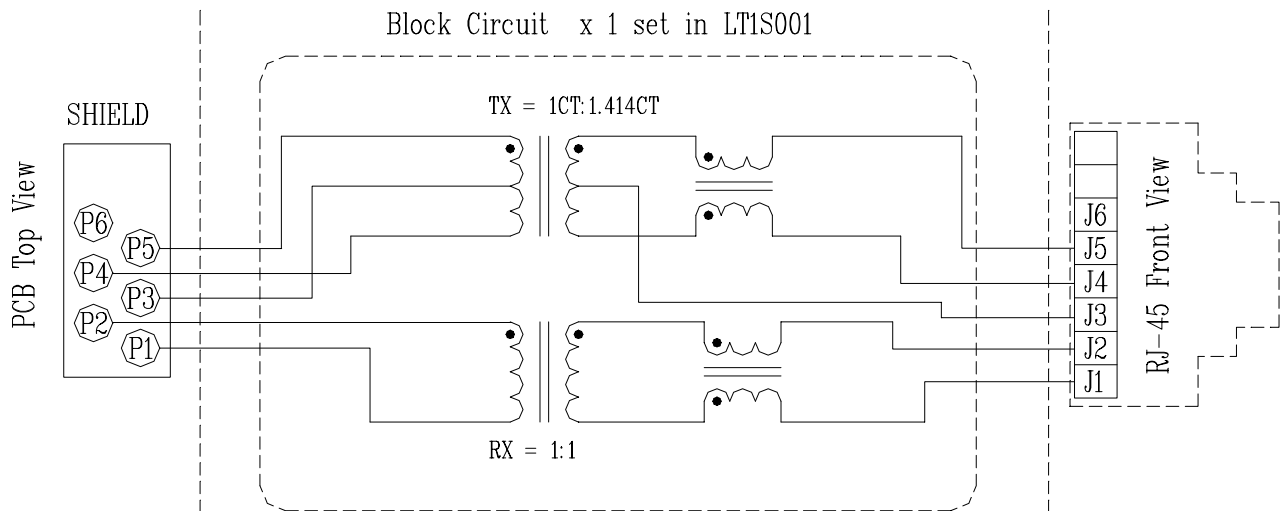
**A. General Specifications**

- 1. RJ-45 connector integrated with X’FMER/Impedance Resistor/High voltage capacitor
- 2. Size same as RJ-45 connector to save PCH Board space.
- 3. Reduce EMI radiation, improve EMI performance.
- 4. Complies with IEEE802.3 standards

**B. Electrical Specifications@25° C**

- 1. Turns Ratio( $\pm 5\%$ ): TX=1CT:1.414CT & RX=1:1
- 3. Inductance: 200 $\mu$ H Min. @0.2V/100KHz
- 4. Leakage Inductance (TX & RX) : 0.5 $\mu$ H Max
- 5. Inter winding Capacitance (TX & RX) : 14pF Max.
- 6. HI-POT Isolation: 1500 Vrms

**C. Schematic:**

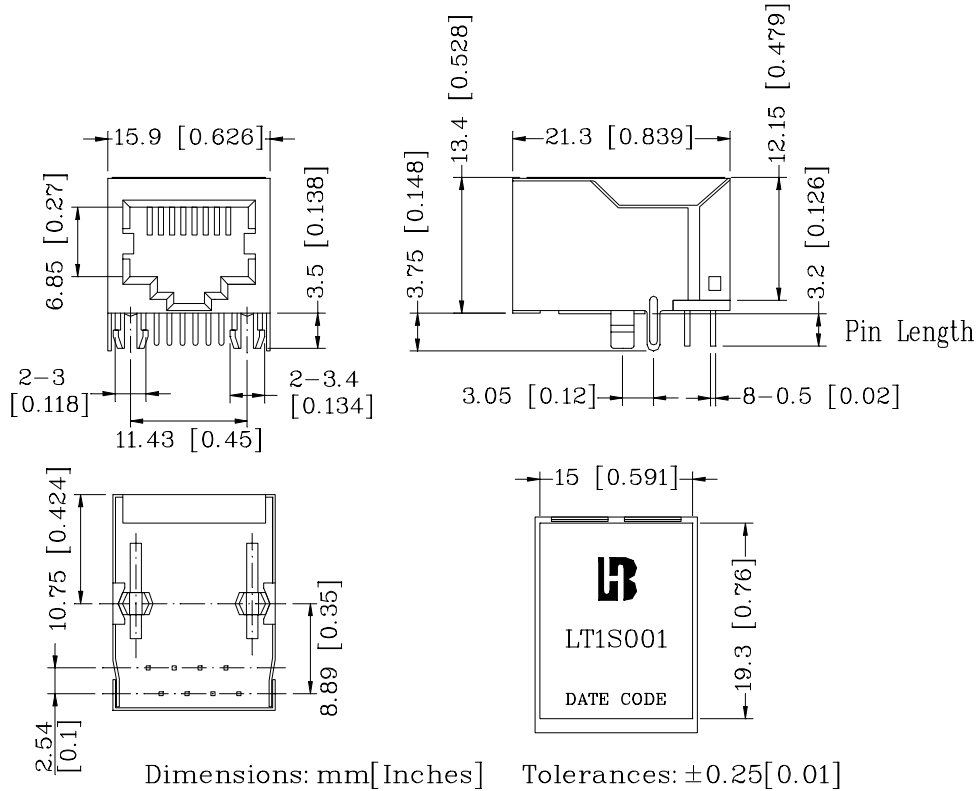


**“LAN-MATE” SERIES**

**SINGLE RJ45 CONNECTOR MODULE WITH INTEGRATED 10 BASE T MAGNETICS**

**P/N : LT1S001**

**D. Mechanical:**



1. Plastic Material : PBT 15% Glass Filled (UL 94V-0) , Black Housing
2. Metal Shield : Brass C2680-H, 20u Nickle Plated, t=0.25mm
3. Spring Wire : 0.45mm Dia. Phosphor bronze with 6u gold plated .
4. Solder Pin : 0.4x0.4mm ,Phosphor bronze with Solder plated
5. Durability : 300 Mating cycles Min .

**E. PCB Layout Mounting Hole (Top View)**

