

“LAN-MATE” SERIES

SINGLE RJ45 CONNECTOR MODULE WITH INTEGRATED 10 BASE T MAGNETICS

P/N: LT1S022

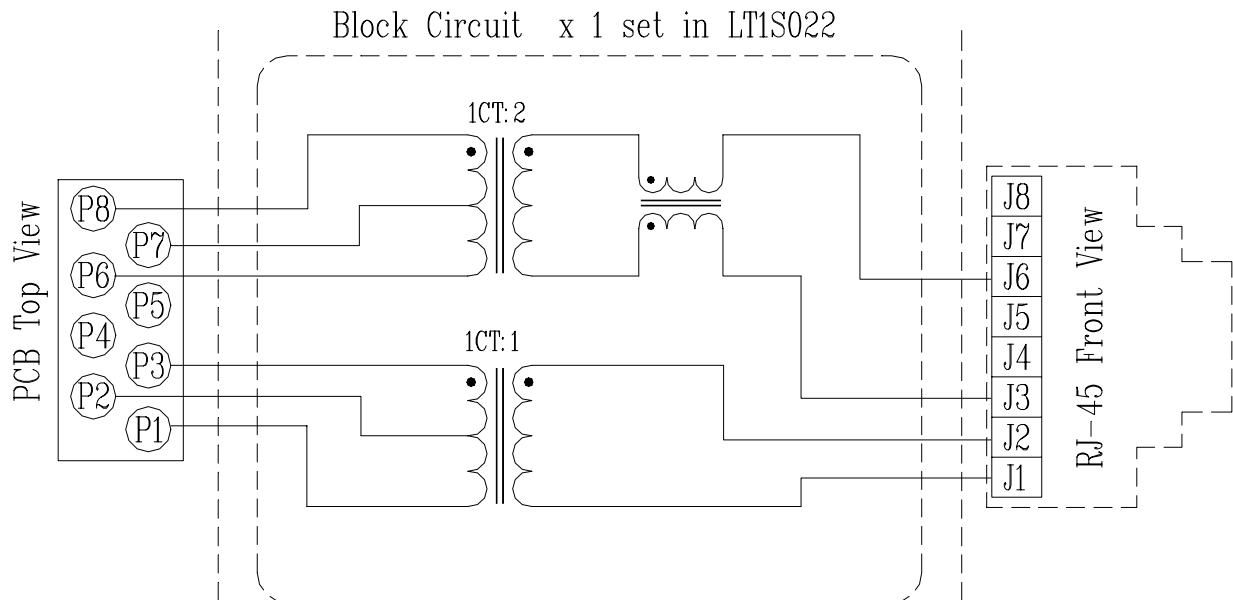
A. General Specifications

- 1. RJ-45 connector integrated with X’FMER/Impedance Resistor/High voltage capacitor
- 2. Size same as RJ-45 connector to save PCB Board space.
- 3. Reduce EMI radiation, Improve EMI performance.
- 4. Complies with IEEE802.3 standards
- 5. Operating temperature range : 0°C to +70°C.

B. Electrical Specifications@25°C :

- 1. Turn Ratio($\pm 5\%$): P3-P1:J2-J1=1CT:1 & P8-P6:J6-J3=1CT:2
- 2. Primary OCL Inductance: 140 μ H Min @100KHz/ 0.2Vrms
- 3. Leakage Inductance : 0.3 μ H Max
- 4. Inter winding Capacitance: 9pF Max.
- 5. Primary DCR : 0.60 Ω Max
- 6. HI-POT Isolation: 1500 Vrms

C. Schematic:



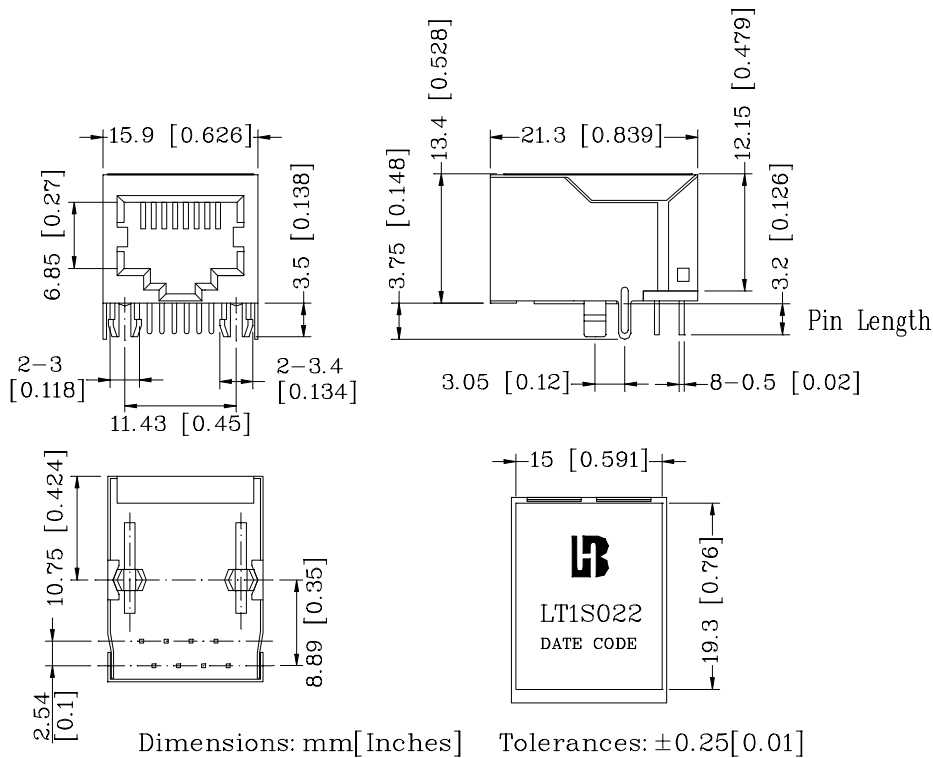
“LAN-MATE” SERIES

SINGLE RJ45 CONNECTOR MODULE WITH INTEGRATED 10 BASE T MAGNETICS

P/N: LT1S022

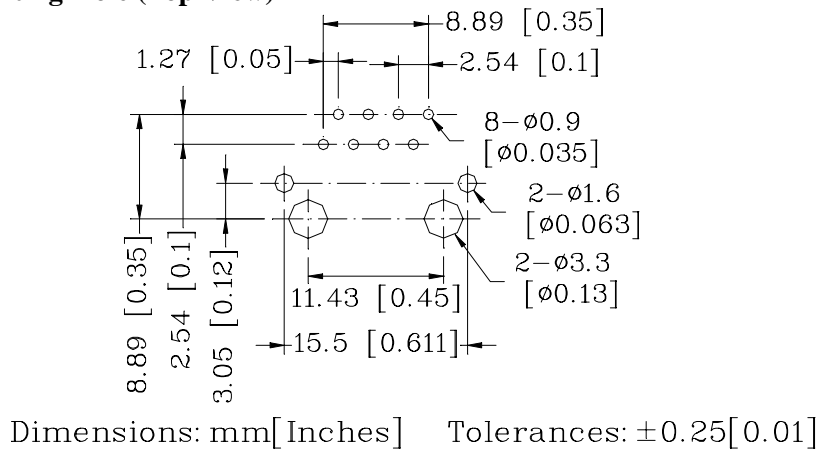
Page : 2/2

D. Mechanical:



1. Plastic Material : PBT 15% Glass Filled (UL 94V-0) , Black Housing
2. Metal Shield : Brass C2680-H, 20u Nickle Plated, t=0.25mm
3. Spring Wire : 0.45mm Dia. Phosphor bronze with 6u gold plated .
4. Solder Pin : 0.4x0.4mm ,Phosphor bronze with Solder plated
5. Durability : 300 Mating cycles Min .

E. PCB Layout Mounting Hole (Top View)



Prepared :Luo Ming Li

Checked by: Xu Wenbing

Approved : Alexander Wu

Drawing no.: Pulse Transformer

REV.:A2

Date : 2001/08/07