



LT1S023B

“LAN-MATE” SERIES

SINGLE RJ45 CONNECTOR MODULE WITH INTEGRATED 10 BASE-T MAGNETICS

P/N : LT1S023B

Page : 1/2

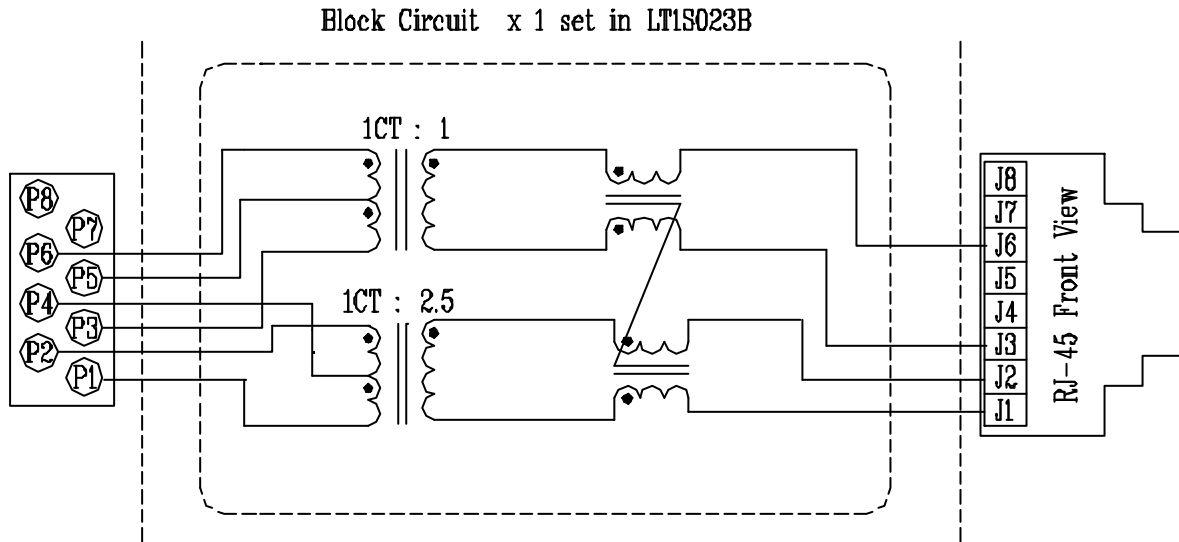
Feature



- RJ-45 connector integrated with X'FMR.
- Size same as RJ-45 connector to save PCB Board space.
- Reduced EMI radiation to improve EMI performance.
- Complies with IE EE802.3 standards.
- Operating temperature range: 0 to +70 .
- Storage temperature range: -25 to +125 .

Electrical Specifications @ 25° C						
Part Number	Turns Ratio (±5%)		OCL (uH Min) @ 100KHz/0.1V TX/RX	L.L (uH Max)	C <sub>ww</sub> (pF Max)	HI-POT (Vrms)
	TX	RX				
LT1S023B	1CT:2.5	1CT:1	35/200	0.8	15	1500

Schematic





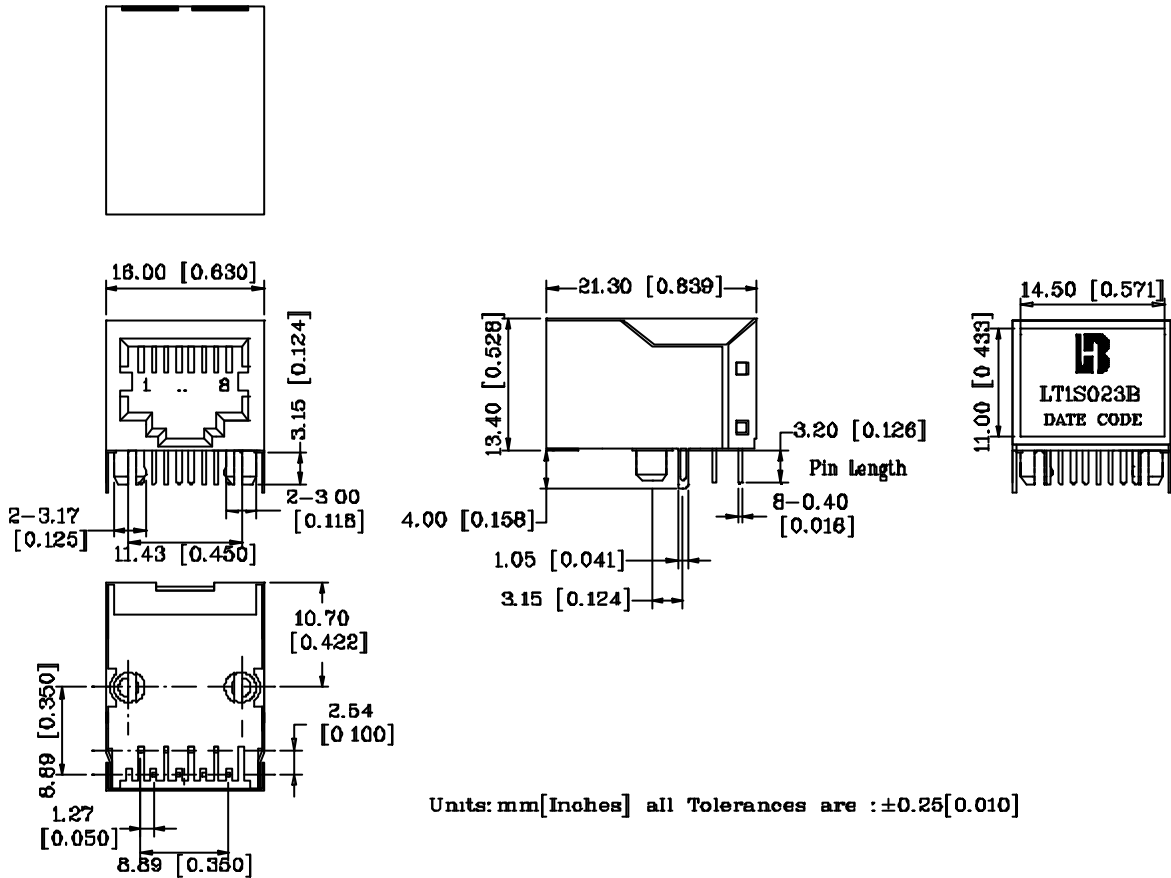
LT1S023B

“LAN-MATE” SERIES

SINGLE RJ45 CONNECTOR MODULE WITH INTEGRATED 10 BASE-T MAGNETICS

P/N : LT1S023B

Mechanical



- 1. Plastic Material : Thermoplastic (UL 94V-0), Black Housing
- 2. Metal Shield : Brass, 20u" inches thick Nickel
- 3. Spring Wire : Phosphor bronze with selective gold plating
- 4. Solder Pin : 0.4x0.4mm, Phosphor bronze with solder Plated
- 5. Durability : 750 Mating cycles Min.

PCB Layout Mounting Hole(Top View)

