

SINGLE RJ45 CONNECTOR MODULE WITH INTEGRATED 10 BASE T MAGNETICS

P/N : LT1T023C

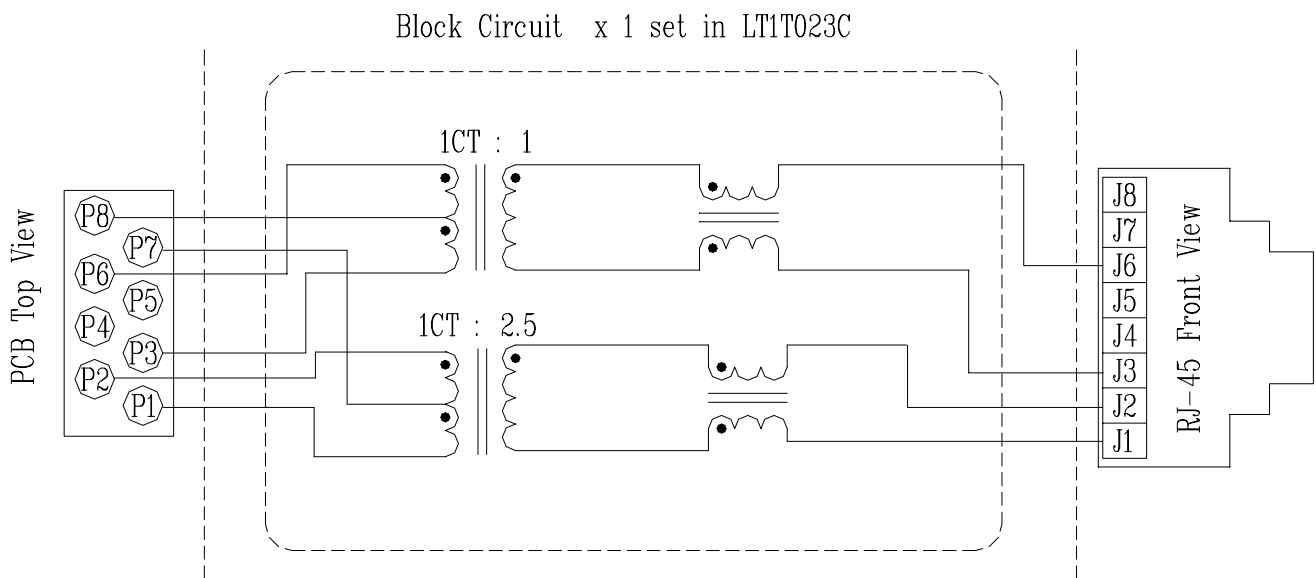
Feature



- RJ-45 connector integrated with X'FMR.
- Size same as RJ-45 connector to save PCB Board space.
- Reduce EMI radiation, improve EMI performance.
- Complies with IEEE802.3 standards.
- Operating temperature range: 0°C to +70°C.
- Storage temperature range: -25°C to +125°C.

Electrical Specifications @ 25°C							
Part Number	Turns Ratio (±5%)		OCL (uH Min) @ 100KHz/0.1V TX/RX	L.L (uH Max)	C _{www} (pF Max)	PRI Pins	HI-POT (Vrms)
	TX	RX					
LT1T023C	1CT:2.5	1CT:1	35/200	0.4	15	(P1-P2)& (P3-P6)	1500

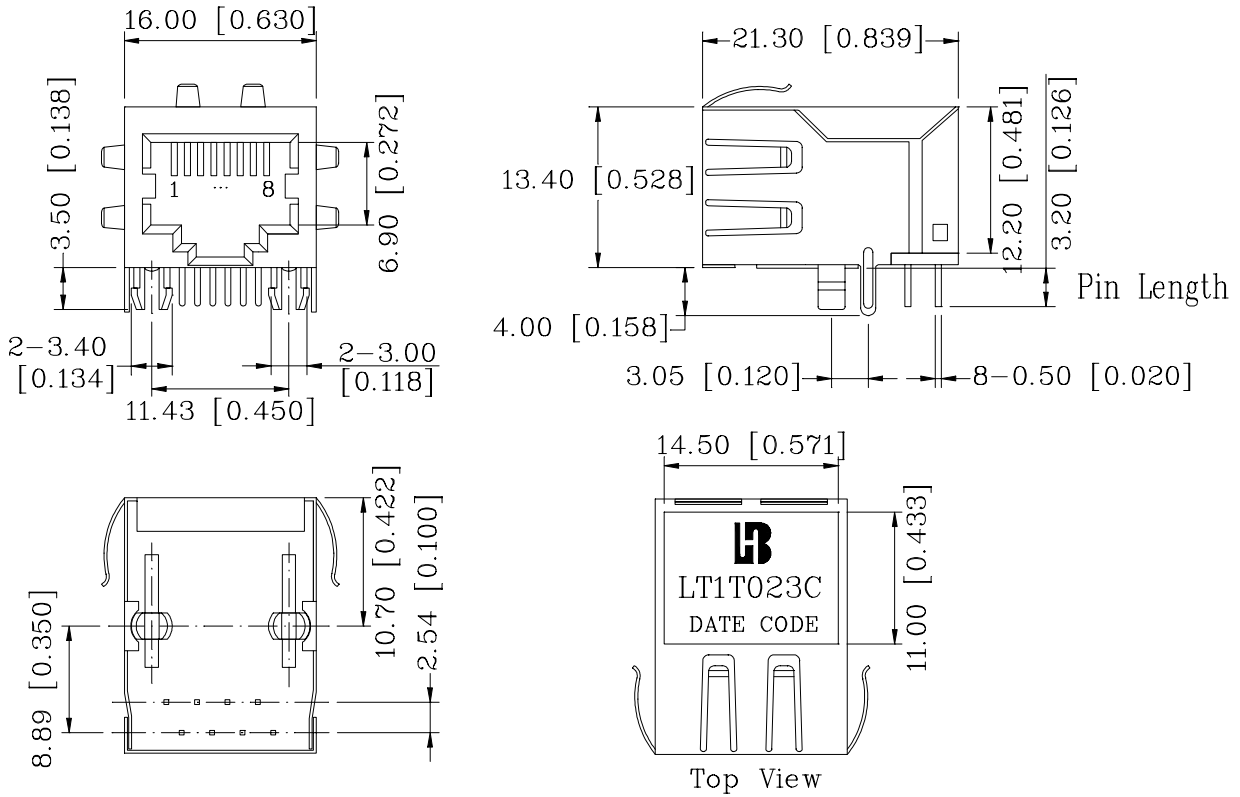
Schematic



SINGLE RJ45 CONNECTOR MODULE WITH INTEGRATED 10 BASE T MAGNETICS

P/N : LT1T023C

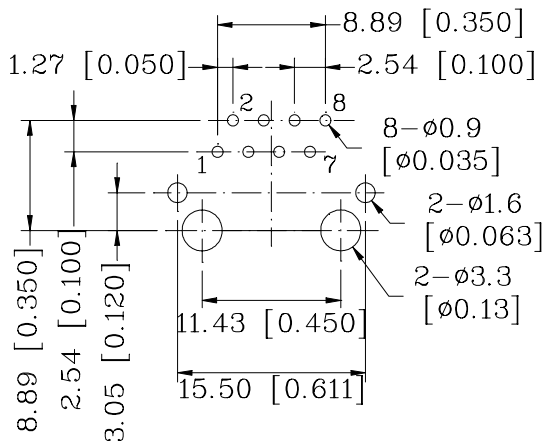
Mechanical



Units: mm[Inches] Tolerances: xx.x0±0.25[0.010]
0.xx±0.05[0.002]

- 1. Plastic Material : PBT 15% Glass Filled(UL 94V-0), Black Housing.
- 2. Metal Shield : Brass C2680-H, 20u Nickel Plated, t=0.25mm.
- 3. Spring Wire : 0.45mm Dia. Phosphor bronze with 6u gold plated.
- 4. Solder Pin : 0.4x0.4mm, Phosphor bronze with solder Plated.
- 5. Durability : 300 Mating cycles Min.

PCB Layout Mounting Hole(Top View)



Units: mm[Inches]
Tolerances: xx.x0±0.25[0.010]
0.xx±0.05[0.002]