

**SINGLE RJ45 CONNECTOR MODULE WITH INTEGRATED 10/100 BASE-TX MAGNETICS AND LEDS**

P/N: LU1S041-43

Page : 1/2

**Feature**



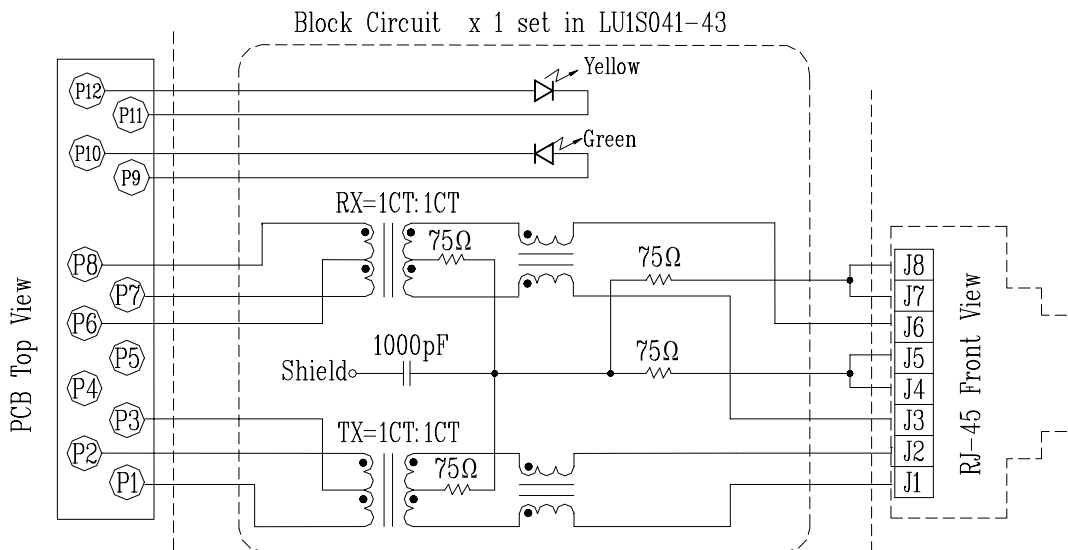
- Complies with requirement of IEEE802.3u standards.
- RJ 45 connector with 10/100 BASE-TX magnetic.
- Meet UL safety standard.
- Includes integrated 2 LEDS(option).LED signal leads are isolated from the Ethernet signal leads to reduce EMI and cross talk.
- Operating temperature range: 0°C to +70°C.
- Storage temperature range: -25°C to +85°C.
- Recommended panel

Part Number	Standard LED	Forward*V(Max)	(TYP)
3	YELLOW	2.6V	2.1V
4	GREEN	2.6V	2.2V

\*With a forward current 20mA

Electrical Specifications @ 25°C												
Part Number	Turns Ratio (±5%) TX/RX		OCL(uH Min) @ 100 KHz/0.1V with 8mA DC Bias			C <sub>www</sub> (pF Max)	L.L (uH Max)	Rise Time 10-90% (ns Typ)	Insertion Loss (dB Max)			HI-POT (Vrms)
									0.3-100MHz			
LU1S041-43	1CT:1CT		350			28	0.4	2.5	-1.15			1500
Continue												
Part Number	Return Loss (dB Min) TX/RX					Cross talk (dB Min)			CMR (dB Min)			
	30MHz	40MHz	50MHz	60MHz	80MHz	0.3-30MHz	30-60 MHz	60-100MHz	1-30MHz	30-60MHz	60-125MHz	
LU1S041-43	-16	-14	-13.5	-13	-10	-40	-35	-30	-30	-25	-20	

**Schematic**

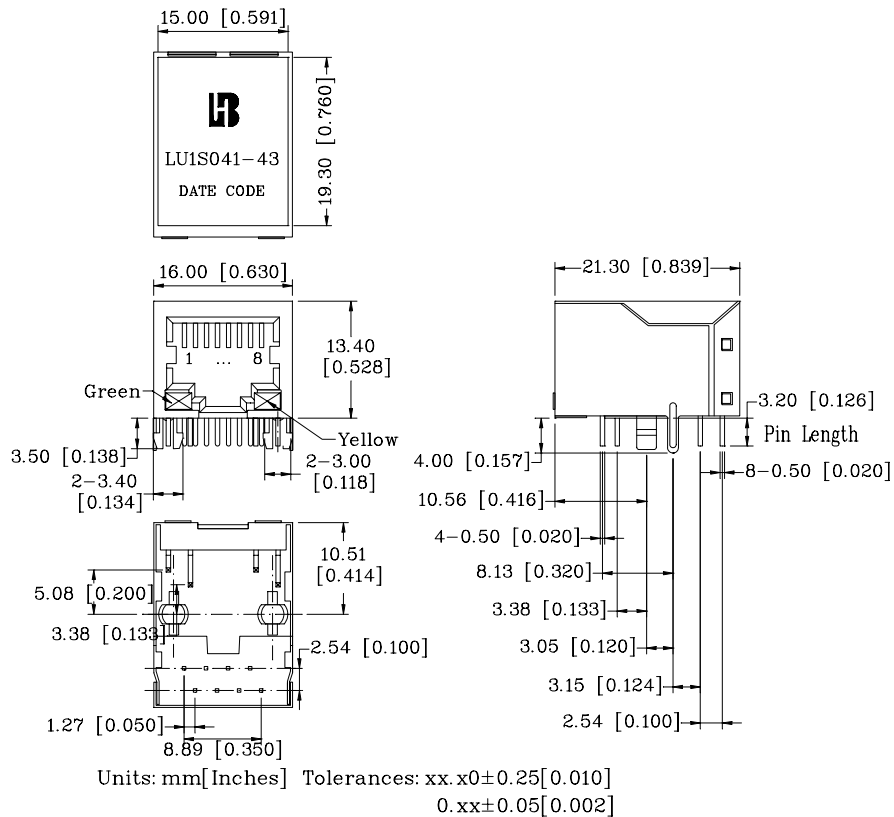


**Mechanical**

**SINGLE RJ45 CONNECTOR MODULE WITH INTEGRATED 10/100 BASE-TX MAGNETICS AND LEDS**

**P/N: LU1S041-43**

Page : 2/2



1. Plastic Material : PBT 15% Glass Filled(UL 94V-0), Black Housing.
2. Metal Shield : Brass C2680-H, 20u Nickel Plated, t=0.25mm.
3. Spring Wire : 0.45mm Dia. Phosphor bronze with 6u gold plated.
4. Solder Pin : 0.4x0.4mm, Phosphor bronze with solder Plated.
5. Durability : 300 Mating cycles Min.

**PCB Layout Mounting Hole(Top View)**

