



LU1S041A1-43

“LAN-MATE” SERIES

SINGLE RJ45 CONNECTOR MODULE WITH INTEGRATED 10/100 BASE-TX MAGNETICS AND LEDS

P/N: LU1S041A1-43

Page: 1/2

Feature



- RJ-45 connector integrated with transformer/impedance resistor/high voltage capacitor.
- Size same as RJ-45 connector to save PCB board space.
- Reduced EMI radiation to improve EMI performance.
- Design for 10/100 BASE transmission over UTP-5 cable.
- Operating temperature range: 0 to +70 .
- Storage temperature range: -25 to +85
- Recommended panel

Part Number	Standard LED	Forward*V(Max)	(TYP)
3	YELLOW	2.6V	2.1V
4	GREEN	2.6V	2.2V

\*with a forward current of 20mA

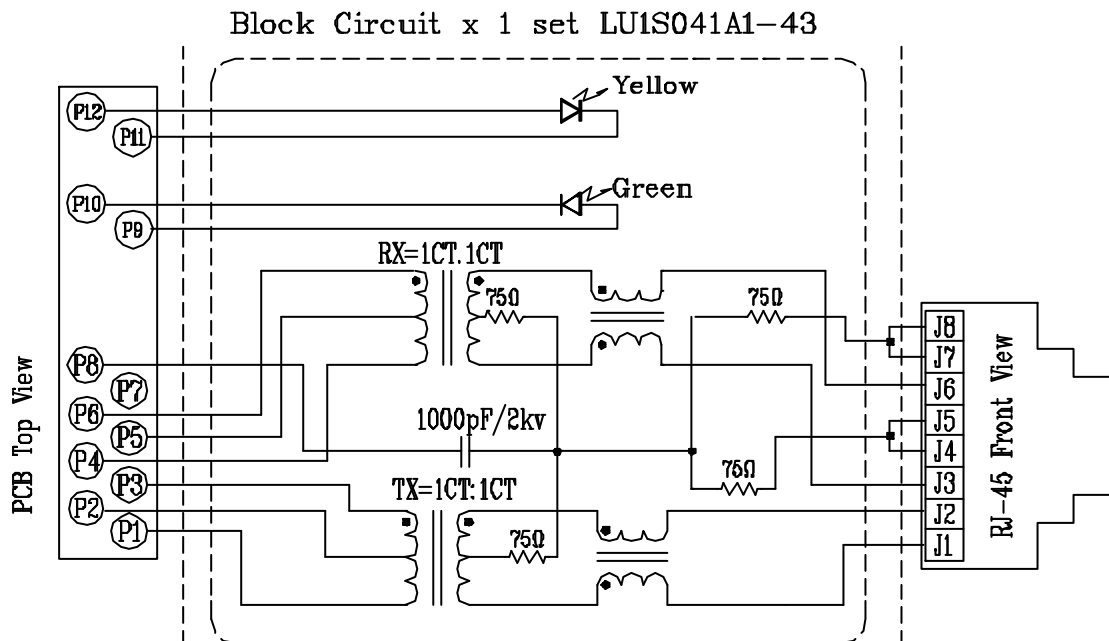
Electrical Specifications @ 25°C

Part Number	Turns Ratio (±3%)TX/RX	OCL(uH Min) @ 100 KHz/0.1V with 8mA DC Bias	C <sub>www</sub> (pF Max)	LL (uH Max)	Insertion Loss (dB Max)	HI-POT (V <sub>ac</sub> )
					0.3-100MHz	
LU1S041A1-43	1CT:1CT	350	28	0.4	-1.15	1500

Continue

Part Number	Return Loss (dB Min)					Cross talk (dB Min)			CMR (dB Min)		
	30MHz	40MHz	50MHz	60MHz	80MHz	0.3-30MHz	30-60 MHz	60-100MHz	1-30MHz	30-60MHz	60-125MHz
LU1S041A1-43	-16	-14	-13.5	-13	-10	-40	-35	-30	-30	-25	-20

Schematic



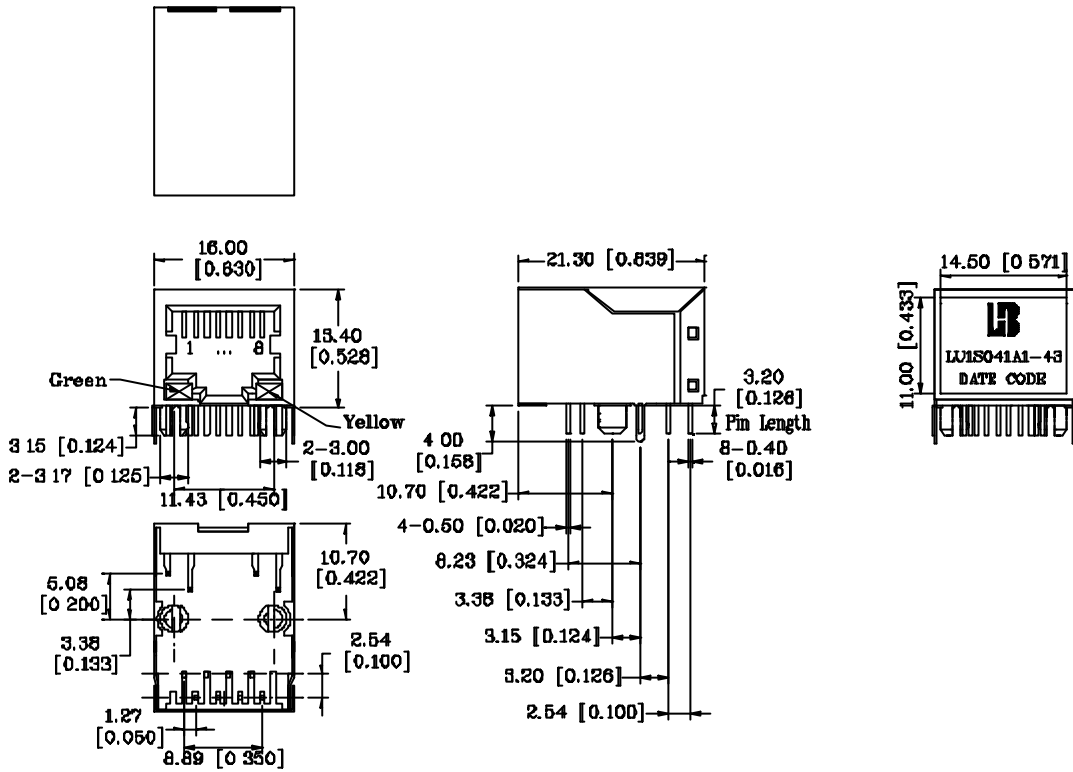


“LAN-MATE” SERIES

SINGLE RJ45 CONNECTOR MODULE WITH INTEGRATED 10/100 BASE-TX MAGNETICS AND LEDS

P/N: LU1S041A1-43

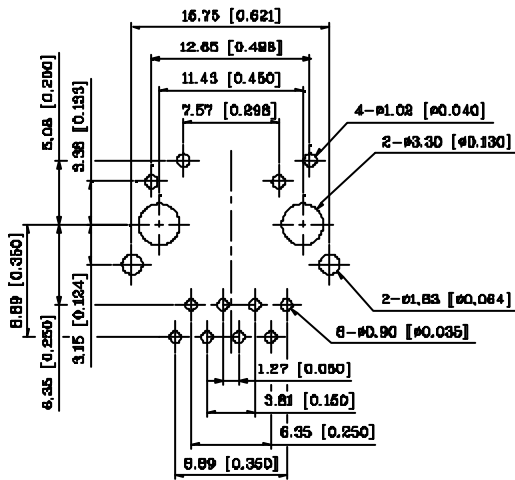
Mechanical



Units: mm[Inches] all Tolerances are :±0.25[0.010]

- 1. Plastic Material : Thermoplastic (UL 94V-0), Black Housing
- 2. Metal Shield : Brass, 20u" inches thick Nickel
- 3. Spring Wire : Phosphor bronze with selective gold plating
- 4. Solder Pin : 0.4x0.4mm, Phosphor bronze with solder Plated
- 5. Durability : 750 Mating cycles Min.

PCB Layout Mounting Hole(Top View)



Units: mm[Inches]  
 XX.XX : ±0.25[0.010]  
 0.XX : ±0.05[0.002]

