

“LAN-MATE” SERIES

SINGLE RJ45 CONNECTOR MODULE WITH INTEGRATED 10/100 BASE-TX MAGNETICS

P/N:LU1S114

A. General Specifications :

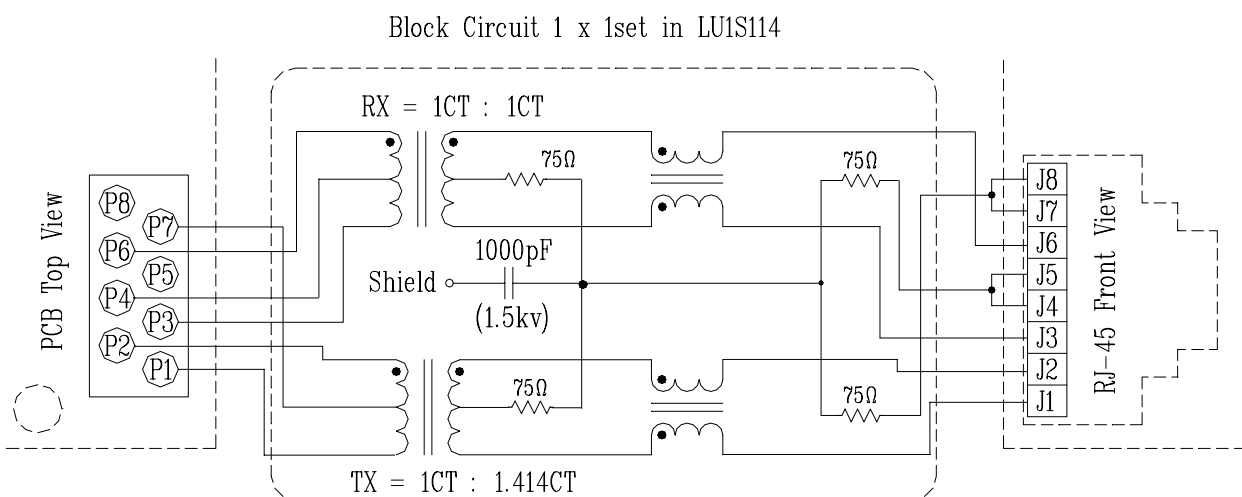
1. RJ-45 Connector Integrated with X'FMER /Impedance resistor/High voltage capacitor .
2. Size same as RJ-45 connector to save PCB Board space.
3. Reduce EMI radiation, Improve EMI performance.
4. Design for 100 BASE transmission over UTP-5 cable.
5. Operating temperature range: 0 °C to +70 °C.

B. Electrical Specifications@25°C:

1. Turn Ratio(±5%): RX =1CT:1CT & TX=1CT:1.414CT
2. Primary OCL Inductance: 350 H MIN @100KHz/0.1Vrms with 8mA Bias
3. Cw/w: 28 pF MAX.
4. Leakage Inductance (TX/RX): 0.8 H MAX/0.5 H MAX
5. Insertion Loss (0.3 to 100 MHz): -1.15 dB MAX
6. DCR (Ω MAX): RD=0.7,TD=0.5,TX=1.1
7. Return Loss (dB MIN):

30MHz	40MHz	50MHz	60MHz	80MHz
-16	-14	-13.5	-13	-10
8. Cross talk (dB MIN): -35@ 0.3-80 MHz
9. Differential to Common Mode Rejection (dB MIN): -30 @1-100MHz
10. Rise Time (10-90%): 2.5nS. Typ.
11. HI-POT Isolation (100% TEST) : 1500 Vrms.

C. Schematic:



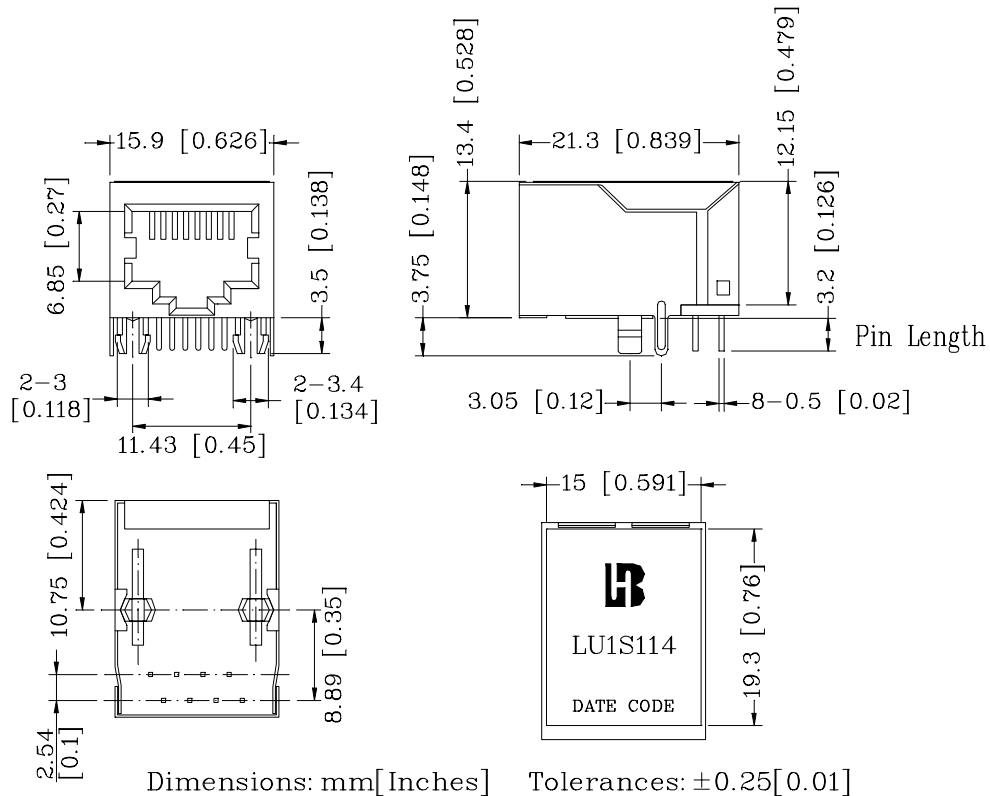
“LAN-MATE” SERIES

SINGLE RJ45 CONNECTOR MODULE WITH INTEGRATED 10/100 BASE-TX MAGNETICS

P/N:LU1S114

Page : 2/2

D. Mechani



1. Plastic Material : PBT 15% Glass Filled (UL 94V-0) , Black Housing
2. Metal Shield : Brass C2680-H, 20u Nickle Plated, t=0.25mm
3. Spring Wire : 0.45mm Dia. Phosphor bronze with 6u gold plated .
4. Solder Pin : 0.4x0.4mm ,Phosphor bronze with Solder plated
5. Durability : 300 Mating cycles Min .

E. PCB Layo

