

“LAN-MATE” SERIES

SINGLE RJ45 CONNECTOR MODULE WITH INTEGRATED 10/100 BASE-TX MAGNETICS

P/N: LU1S114B

Page : 1/2

A. General Specifications :

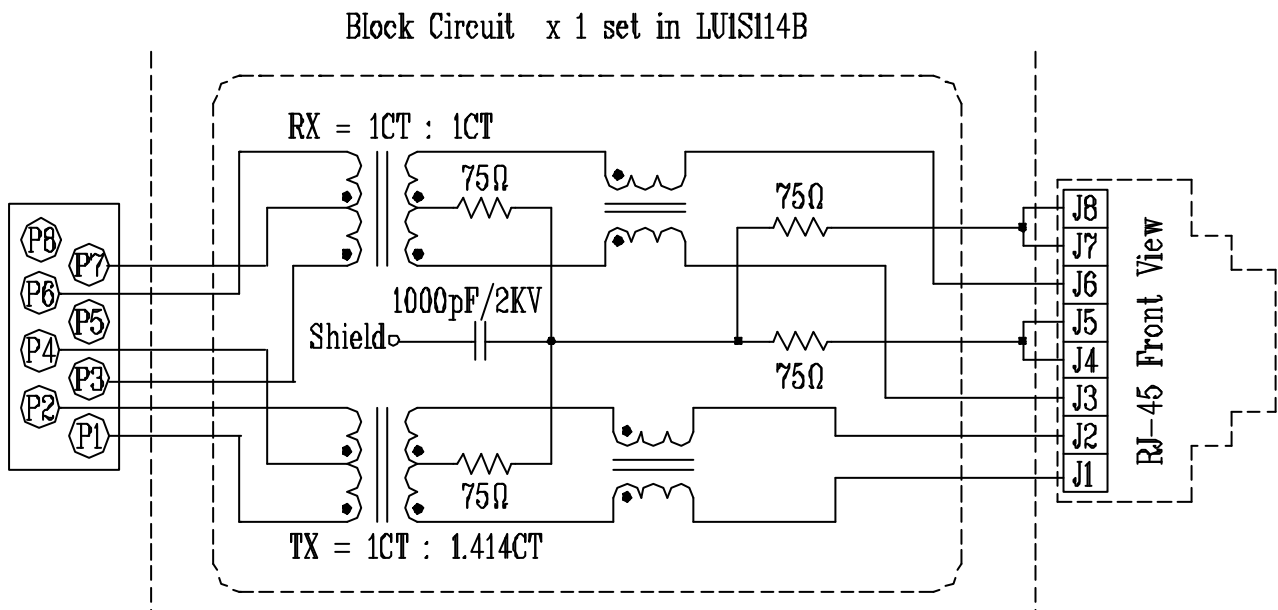
1. Designed for HUB application.
2. Designed to meet IEEE.802.3U requirement.
3. Available in all turn ratios used by LAN IC manufactures.
4. Primary center taps available for additional EMI reduction.
5. Simplest magnetic component to place and route on PCB,
6. Conserves minimizing PCB space.

B. Electrical Specifications @25° C:

1. Turns Ratio($\pm 5\%$): RX =1CT:1CT & TX=1CT:1.414CT
2. Primary OCL Inductance: 350 μ H MIN @ 100 KHz/0.1Vrms with 8.0mA Bias
3. CW/W : 28 pF MAX.
4. Leakage Inductance (TX/RX): 0.8 μ H MAX/0.5 μ H MAX
5. Insertion Loss (0.3 to 100 MHz): -1.15 dB MAX
6. Return Loss (dB MIN):

30MHz	40MHz	50MHz	60MHz	80MHz
-16	-14	-13.5	-13	-10
7. Cross Talk (dB MIN): -35 @ 0.3-80 MHz
8. CMRR (dB MIN): -30 @ 1-100MHz
9. HI-POT Isolation (100% TEST) : 1500 Vrms.

C. Schematic :



Prepared :Luo Ming Li

Checked by: Xu Wenbing

Approved : Alexander Wu

Drawing no.: Pulse Transformer

REV.:A2

Date : 2001/08/06

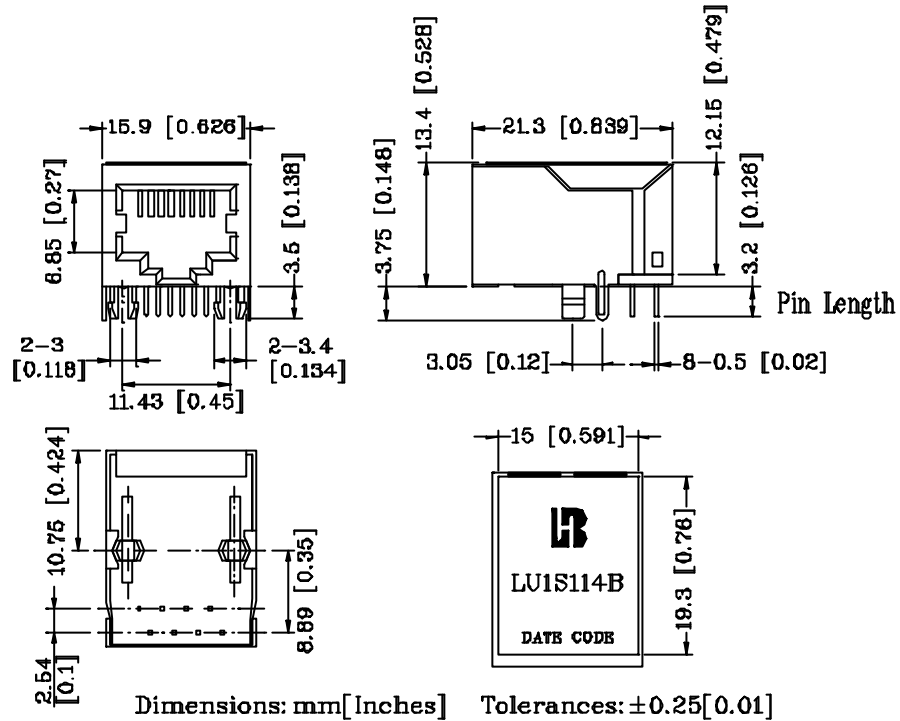
“LAN-MATE” SERIES

SINGLE RJ45 CONNECTOR MODULE WITH INTEGRATED 10/100 BASE-TX MAGNETICS

P/N: LU1S114B

Page : 2/2

D. Mechanical:



1. Plastic Material : PBT 15% Glass Filled (UL 94V-0) , Black Housing
2. Metal Shield : Brass C2680-H, 20u Nickle Plated, t=0.25mm
3. Spring Wire : 0.45mm Dia. Phosphor bronze with 6u gold plated .
4. Solder Pin : 0.4x0.4mm ,Phosphor bronze with Solder plated
5. Durability : 300 Mating cycles Min .

E. PCB Layout Mounting Hole (Top View)

