

RJ45+USB STACK w/LED & TRANSFORMER MODULE F TYPE

P/N:LU1S516C

A. General Specifications:

1.SCOPE

1.1 Content

1.1.1 This specification covers performance , tests and quality requirements for RJ45+USB STACE w/LED & TRANSFORMER MODULE F TYPE

2.APPLICABLE DOCUMENTS

The following documents form a part of this specification to the extent specified herein unless otherwise Specified latest edition of the specification applies ,In the event of conflict between requirements of this Specification and product drawing product drawing shall take precedence

2.1 Commercial standards specifications and report

2.1.1 MIL-STD-1344A & 2.1.2 EIA-364

B. Electrical Specifications@25°C:

1. Insertion Loss (1 to 100 MHz) : -1.0 dB Max

2. Return Loss(load 100Ω) : 1-30MHz 30-60MHz 60-80MHz
 -18 dB Min -16 dB Min -12 dB Min

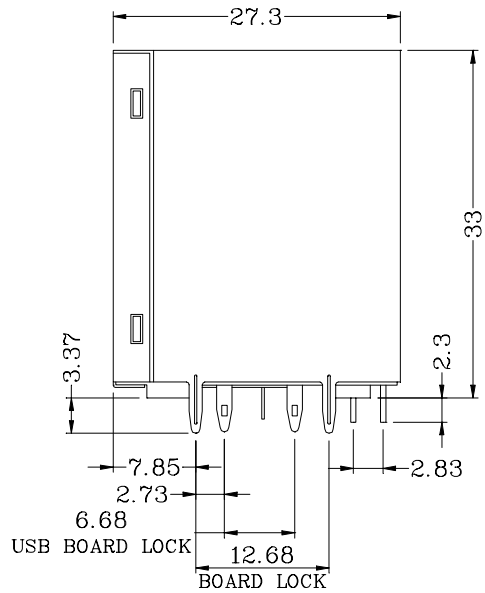
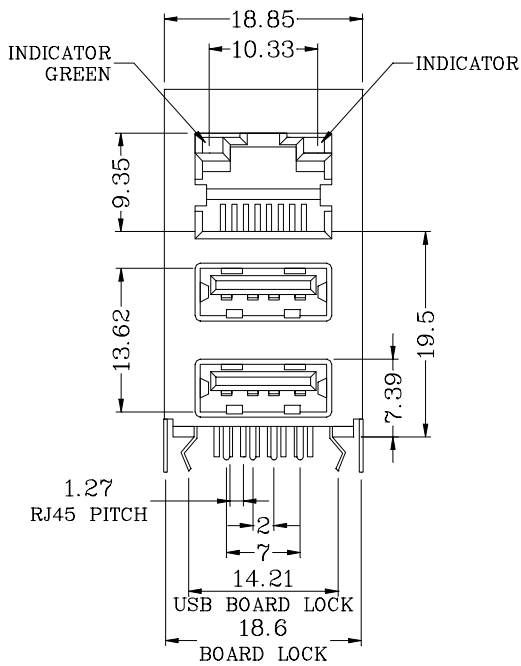
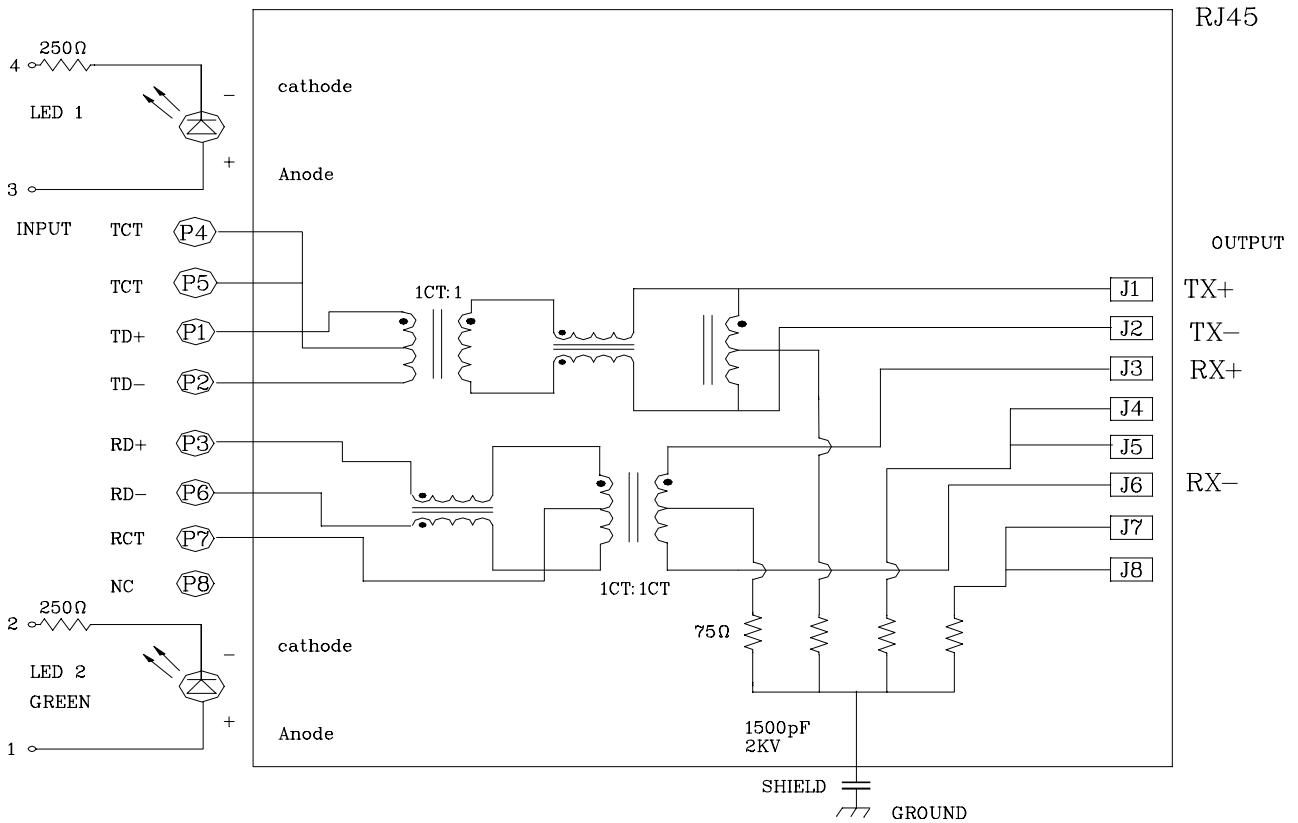
3. Cross talk (1-100 MHz): 35 dB Min

4. Common mode rejection (1-100MHz): 30dB Min

5. Inductance: 350 uH Min @100KHz/0.1v with 8mA/DC bias , Input(1-2), Input(3-6)

5. HI TO TEST: Input(1-2)to output(1-2) : 1500v/60sec & Input(3-6)to output(3-6) : 1500v/60sec

D. Mechanical & Schematic :



Toler: ±0.25