

SINGLE RJ45 CONNECTOR MODULE WITH INTEGRATED 10/100 BASE-TX MAGNETICS

P/N: LU1S517

Page : 1/2

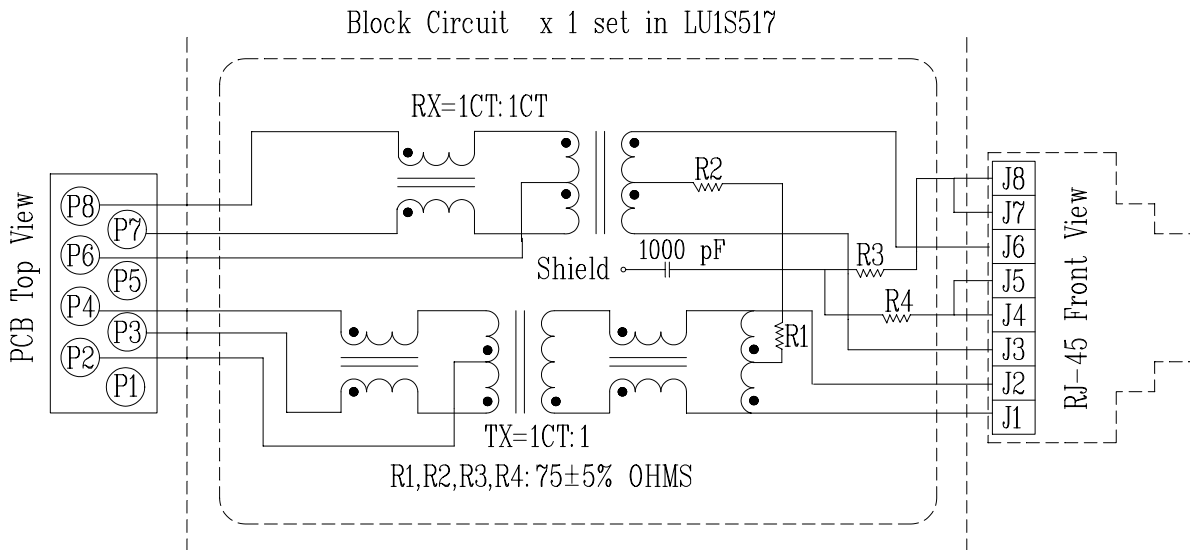
Feature



- Complies with requirement of IEEE802.3u standards.
- RJ 45 connector with 10/100 BASE-TX magnetic.
- Rating temperature range: 0°C to +70°C.
- Storage temperature range: -25°C to +125°C.

Electrical Specifications @ 25°C											
Part Number	Turns Ratio (±5%)		OCL (uH Min) @ 100 KHz/0.1V with 8mA DC Bias	L.L (uH Max)	C _{www} (pF Max)	Rise Time 10-90% (nS TYP)	Cross talk (dB Min)				
	TX	RX					0.3-30MHz	30-60MHz	60-100MHz		
LU1S517	1CT:1	1CT:1CT	350	0.4	28	2.5	-40	-35	-30		
Continue											
Part Number	Insertion Loss (dB Max)		Return Loss (dB Min)					CMR (dB Min) TX/RX			HI-POT (Vrms)
	0.3-100MHz	100-125MHz	30MHz	40MHz	50MHz	60MHz	80MHz	1-30MHz	30-60MHz	60-125MHz	
LU1S517	-1.1	-1.5	-16	-14	-13.5	-13	-10	-30	-25	-20	1500

Schematic

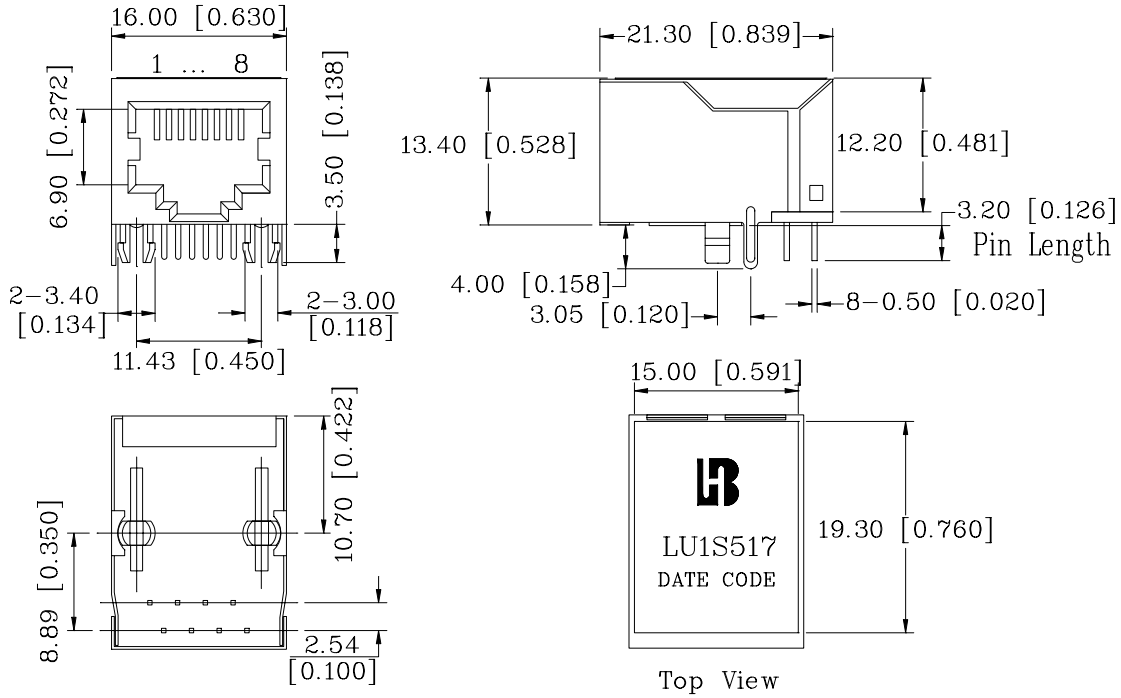


SINGLE RJ45 CONNECTOR MODULE WITH INTEGRATED 10/100 BASE-TX MAGNETICS

P/N: LU1S517

Page : 2/2

Mechanical

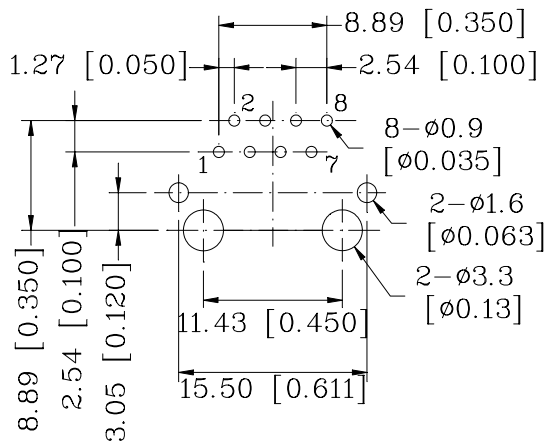


Units: mm[Inches] Tolerances: xx.x0±0.25[0.010]

0.xx±0.05[0.002]

- 1. Plastic Material : PBT 15% Glass Filled(UL 94V-0), Black Housing
- 2. Metal Shield : Brass C2680-H, 20u Nickel Plated, t=0.25mm
- 3. Spring Wire : 0.45mm Dia. Phosphor bronze with 6u gold plated
- 4. Solder Pin : 0.4x0.4mm, Phosphor bronze with solder Plated
- 5. Durability : 300 Mating cycles Min.

PCB Layout Mounting Hole(Top View)



Units: mm[Inches]

Tolerances: xx.x0±0.25[0.010]

0.xx±0.05[0.002]