

SINGLE RJ45 CONNECTOR MODULE WITH INTEGRATED 10/100 BASE-TX MAGNETICS

P/N: LU1S522

Page : 1/2

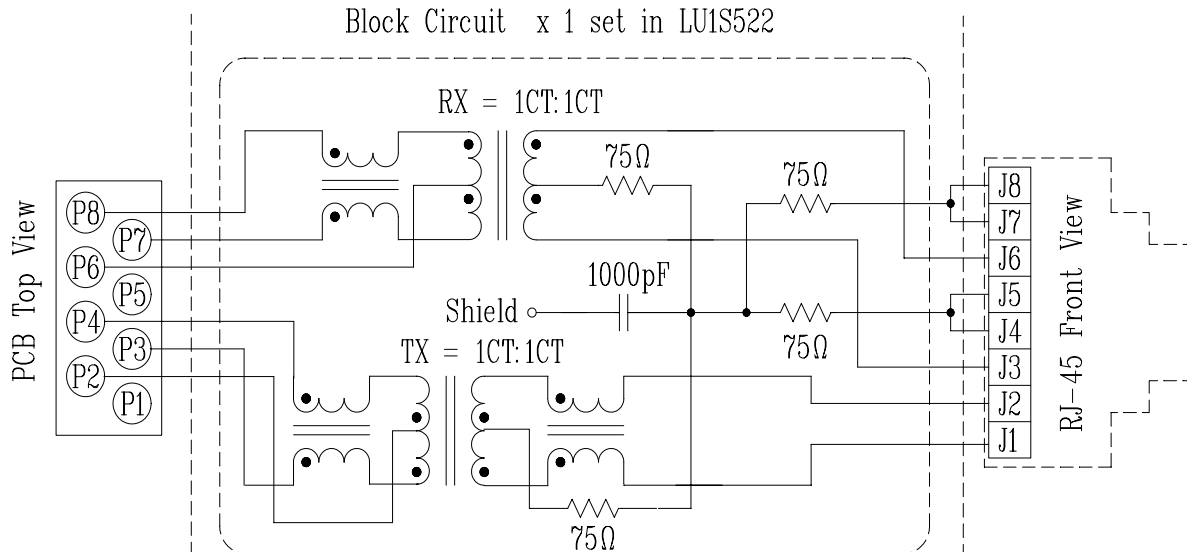
Feature



- RJ-45 connector integrated with X'FMR /Impedance resistor/High voltage capacitor.
- Size same as RJ-45 connector to save PCB Board space.
- Reduce EMI radiation, Improve EMI performance.
- Complies with IEEE 802.3 standards.
- Operating temperature range: 0°C to +70°C.
- Storage temperature range: -25°C to +125°C

Electrical Specifications @ 25°C								
Part Number	Turns Ratio (±5%)		OCL (uH Min) @ 100 KHz/0.1V with 8mA DC Bias	Insertion Loss (dB Max)		HI-POT (Vrms)		
	TX	RX		0.3-100MHz	100-125MHz			
LU1S522	1CT:1CT	1CT:1CT	350	-1.1	-1.5	1500		
Continue								
Part Number	Return Loss (dB Min)		Cross talk (dB Min)			CMR (dB Min) TX/RX		
	30MHz	80MHz	0.3-30MHz	30-60MHz	60-100MHz	1-30MHz	30-60MHz	60-125MHz
LU1S522	-18	-12	-40	-35	-30	-30	-25	-20

Schematic

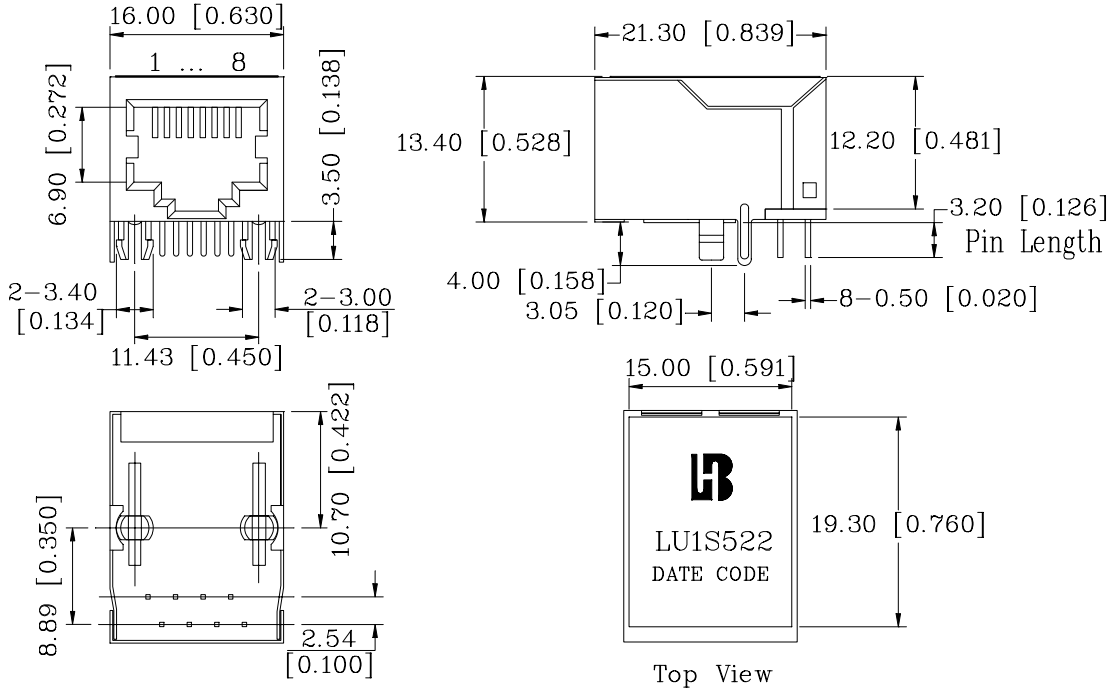


SINGLE RJ45 CONNECTOR MODULE WITH INTEGRATED 10/100 BASE-TX MAGNETICS

P/N: LU1S522

Page : 2/2

Mechanical

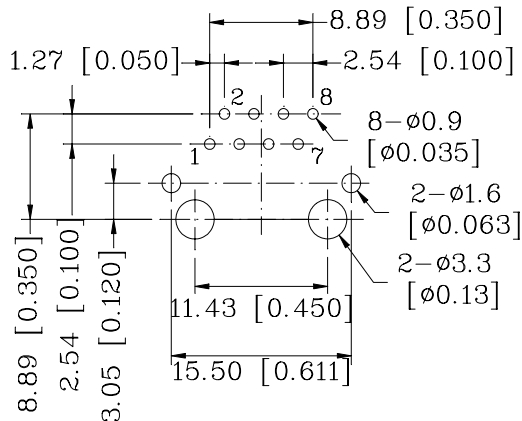


Units: mm[Inches] Tolerances: xx.x0±0.25[0.010]

0.xx±0.05[0.002]

- | | |
|---------------------|---|
| 1. Plastic Material | : PBT 15% Glass Filled(UL 94V-0), Black Housing |
| 2. Metal Shield | : Brass C2680-H, 20u Nickel Plated, t=0.25mm |
| 3. Spring Wire | : 0.45mm Dia. Phosphor bronze with 6u gold plated |
| 4. Solder Pin | : 0.4x0.4mm, Phosphor bronze with solder Plated |
| 5. Durability | : 300 Mating cycles Min. |

PCB Layout Mounting Hole(Top View)



Units: mm[Inches]
Tolerances: xx.x0±0.25[0.010]
0.xx±0.05[0.002]