

SINGLE RJ45 CONNECTOR MODULE WITH INTEGRATED 10/100 BASE-TX MAGNETICS

P/N: LU1T041R

Page: 1/2

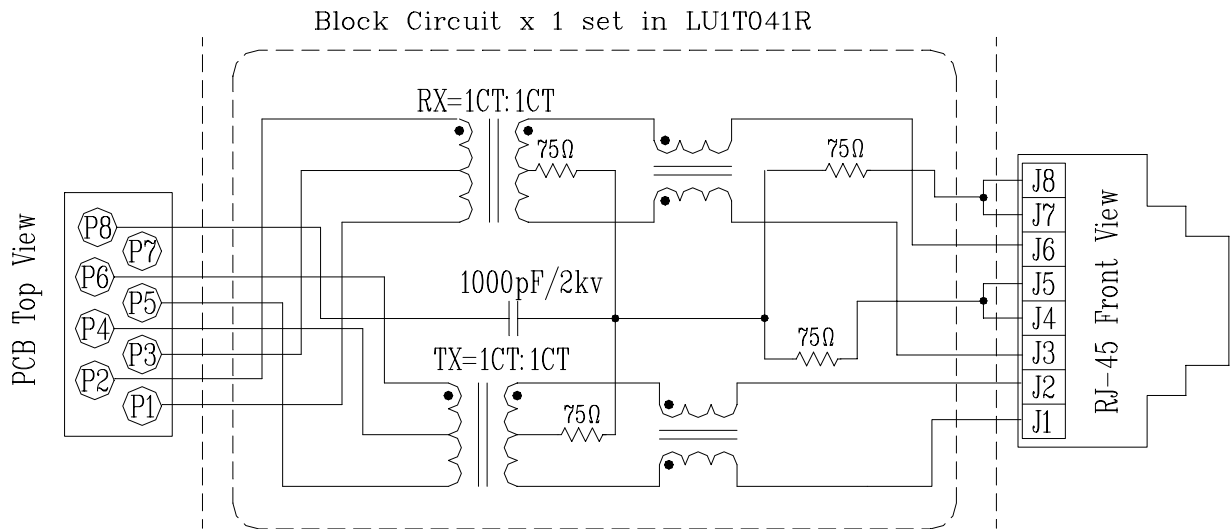
Feature



- Operating temperature range: 0°C to +70°C.
- Storage temperature range: -25°C to +125°C

Electrical Specifications @ 25°C											
Part Number	Turns Ratio (±3%) TX/ RX	OCL (uH Min) @ 100 KHz/0.1V with 8mA DC Bias	C _{www} (pF Max)	L.L (uH Max)	Rise Time (10-90%) nS Max	Insertion Loss (dB Max)		HI-POT (Vrms)			
						0.3-100MHz					
LU1T041R	1CT:1CT	350	28	0.5	2.5	-1.15		1500			
Continue											
Part Number	Return Loss (dB Min)					Cross talk (dB Min)			CMR (dB Min)		
	30MHz	40MHz	50MHz	60MHz	80MHz	0.3-30MHz	30-60MHz	60-100MHz	1-30MHz	30-60MHz	60-125MHz
LU1T041R	-16	-14	-13.5	-13	-10	-40	-35	-30	-30	-25	-20

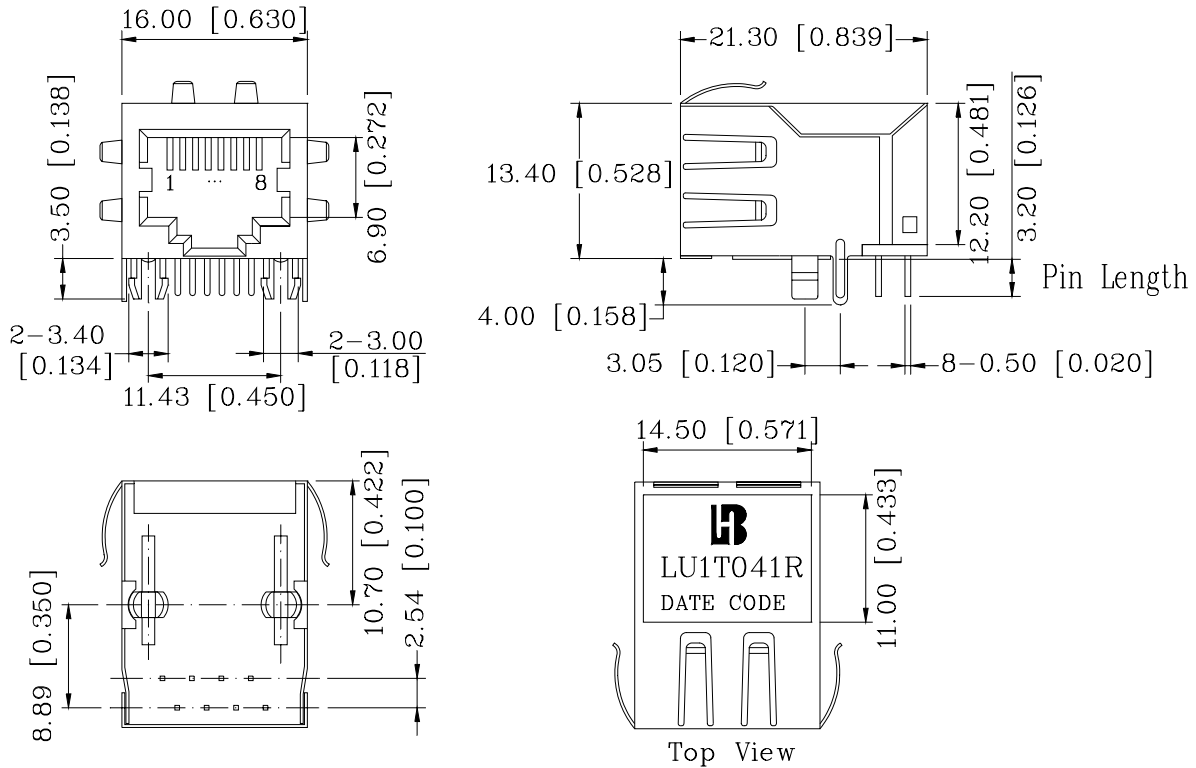
Schematic



SINGLE RJ45 CONNECTOR MODULE WITH INTEGRATED 10/100 BASE-TX MAGNETICS

P/N: LU1T041R

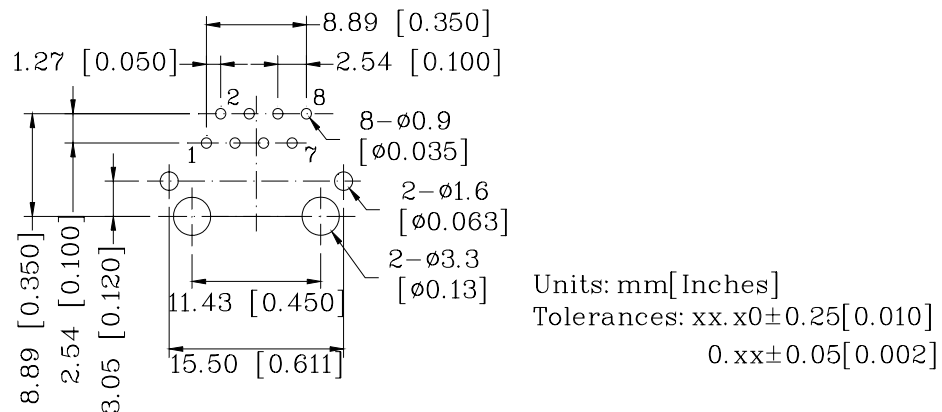
Mechanical



Units: mm[Inches] Tolerances: xx.x0±0.25[0.010]
0.xx±0.05[0.002]

- | | |
|---------------------|---|
| 1. Plastic Material | : PBT 15% Glass Filled(UL 94V-0), Black Housing |
| 2. Metal Shield | : Brass C2680-H, 20u Nickel Plated, t=0.25mm |
| 3. Spring Wire | : 0.45mm Dia. Phosphor bronze with 6u gold plated |
| 4. Solder Pin | : 0.4x0.4mm, Phosphor bronze with solder Plated |
| 5. Durability | : 300 Mating cycles Min. |

PCB Layout Mounting Hole(Top View)



Units: mm[Inches]
Tolerances: xx.x0±0.25[0.010]
0.xx±0.05[0.002]