



LU1T516E1-43

“LAN-MATE” SERIES

SINGLE RJ45 CONNECTOR MODULE WITH INTEGRATED 10/100 BASE-TX MAGNETICS AND LEDS

P/N: LU1T516E1-43

Page : 1/2

Feature



- RJ-45 connector integrated with transformer/impedance resistor/high voltage capacitor.
- Size same as RJ-45 connector to save PCB board space.
- Reduced EMI radiation to improve EMI performance
- Design for 10/100 BASE transmission over UTP-5 cable.
- Operating temperature range: 0 to +70 .
- Storage temperature range: -25 to +85 .
- Recommended panel

Part Number	Standard LED	Forward*V(Max)	(TYP)
3	YELLOW	2.6V	2.1V
4	GREEN	2.6V	2.2V

*with a forward current of 20mA

Electrical Specifications @ 25°C

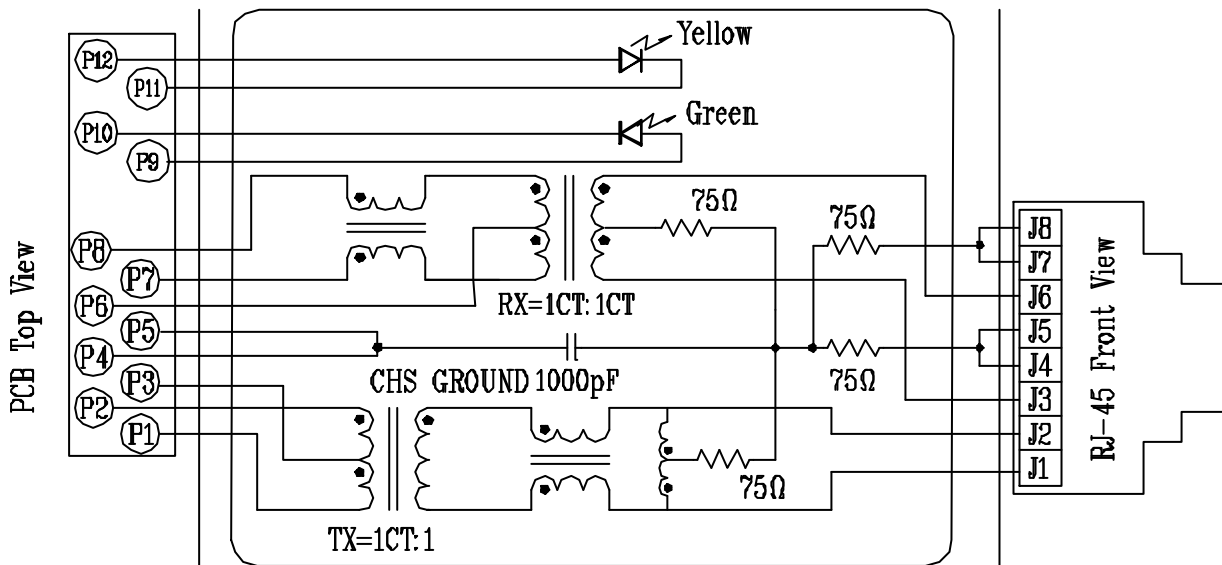
Part Number	Turns Ratio (±5%)		OCL (uH Min) @ 100KHz/0.1V with 8mA DC Bias	Cross talk (dB Min)			HI-POT (Vrms)
	TX	RX		0.3-30MHz	30-60MHz	60-100MHz	
LU1T516E1-43	1CT:1	1CT:1CT	350	-40	-35	-30	1500

Continue

Part Number	Insertion Loss (dB Max)	Return Loss (dB Min)					CMR (dB Min)		
		30MHz	40MHz	50MHz	60MHz	80MHz	1-30MHz	30-60MHz	60-125MHz
LU1T516E1-43	-1.15	-16	-14	-13.5	-13	-10	-30	-25	-20

Schematic

Block Circuit x 1 set in LU1T516E1-43





LU1T516E1-43

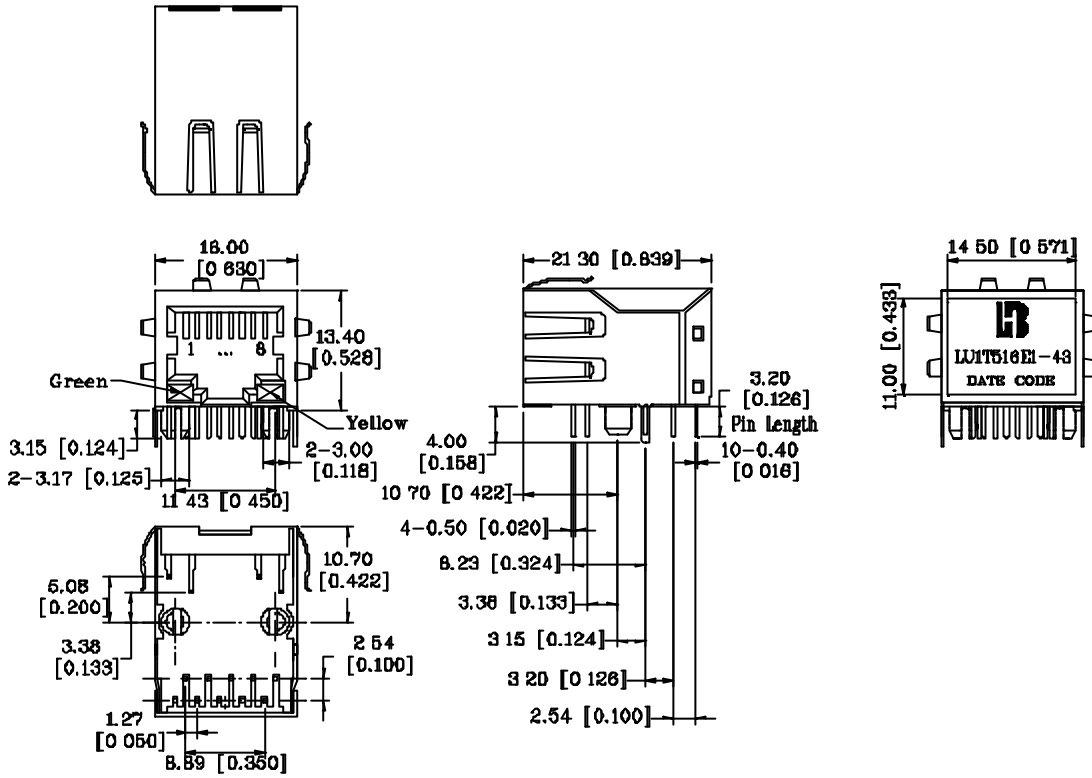
“LAN-MATE” SERIES

SINGLE RJ45 CONNECTOR MODULE WITH INTEGRATED 10/100 BASE-TX MAGNETICS AND LEDS

P/N: LU1T516E1-43

Page : 2/2

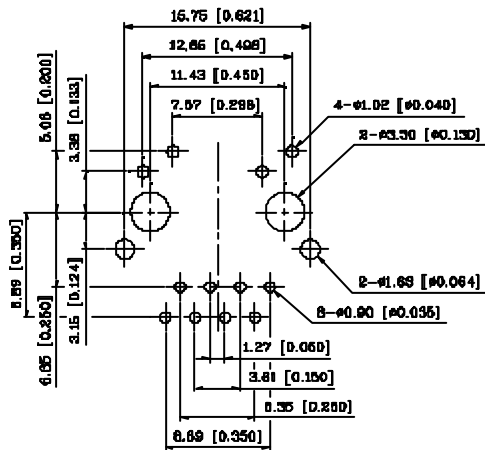
Mechanical



Units: mm [Inches] Tolerances: xx.x0±0.25 [0.010]
0.xx±0.05 [0.002]

- 1. Plastic Material : Thermoplastic (UL 94V-0), Black Housing
- 2. Metal Shield : Brass, 20u" inches thick Nickel
- 3. Spring Wire : Phosphor bronze with selective gold plating
- 4. Solder Pin : 0.4x0.4mm, Phosphor bronze with solder Plated
- 5. Durability : 750 Mating cycles Min.

PCB Layout Mounting Hole(Top View)



Units: mm [Inches]
XX.XX : ±0.25 [0.010]
0.XX : ±0.05 [0.002]

