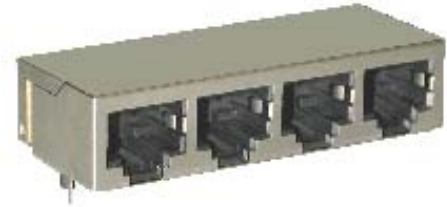


“LAN-MATE”SERIES

1X4 RJ45 CONNECTOR MODULE WITH INTEGRATED 10/100 BASE-TX MAGNETICS

- RJ-45 connector integrated with X'FMR/impedance resistor/high voltage capacitor.
- Size same as RJ-45 connector to save PCB board space
- Reduce EMI radiation, improve EMI performance.
- Design for 100 Base transmission over UTP-5 cable
- Operating temperature range: 0°C to +70°C
- Storage temperature range: -40°C to +125°C



Electrical specifications @25°C

OCL(100KHz, 0.1Vrms with 8mA/DC Bias) : 350 uH Min.

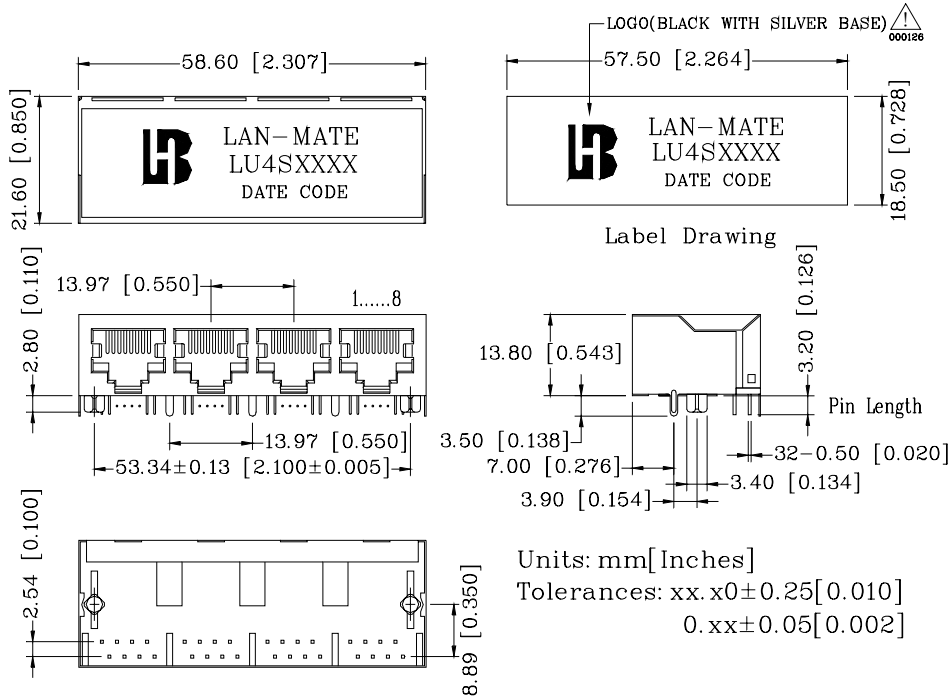
Part Number	Cross talk (dB Min)				Insertion Loss (dB Max.)	Return Loss (dB Min.)					Differential to Common Mode Rejection (dB Min)				
	0.3-60MHz	0.3-80MHz	0.3-100MHz	60-100MHz		0.3~100MHz	30MHz	40MHz	50MHz	60MHz	80MHz	0.3-60MHz		60-100MHz	
												TX	RX	TX	RX
LU4S041	-	-35	-	-	-1.15	-16	-14	-13.5	-13	-10	-30				
LU4S041B	-40	-	-	-38	-1.15	-16	-14	-13.5	-13	-10	-45	-40	-40	-35	
LU4S041C	-40	-	-	-38	-1.15	-16	-14	-13.5	-13	-10	-45	-40	-40	-35	
LU4S041F	-	-	-35	-	-1.15	-16	-14	-13.5	-13	-10	-30				
LU4S041X	-	-	-35	-	-1.15	-16	-14	-13.5	-13	-10	-30				
LU4S042	-	-35	-	-	-1.15	-16	-14	-13.5	-13	-10	-30				
LU4S042A	-	-35	-	-	-1.15	-16	-14	-13.5	-13	-10	-30				
LU4S049	-	-35	-	-	-1.15	-16	-14	-13.5	-13	-10	-30				
LU4S092	-	-	-38	-	-1.15	-16	-14	-13.5	-13	-10	-				
LU4S125A	-	-35	-	-	-1.15	-16	-14	-13.5	-13	-10	-30				
LU4S214A	30MHz		50MHz		-1.15	-16	-14	-13.5	-13	-10	-				
	-55		-45												-35
LU4S515	-	-35	-	-	-1.15	-16	-14	-13.5	-13	-10	-30				
LU4S516	-	-35	-	-	-1.15	-16	-14	-13.5	-13	-10	-30				
LU4S516B	-	-35	-	-	-1.15	-16	-14	-13.5	-13	-10	-30				
LU4S516D	-	-35	-	-	-1.15	-16	-14	-13.5	-13	-10	-30				
LU4S516E	-	-	-35	-	-1.15	-16	-14	-13.5	-13	-10	-30				

Part Number	Turns Ratio (±5%)		CW/W (pF Max) TX/RX	L.L (uH Min)		HI-POT (Vrms)	Rise time 10-90% (ns Typ)	CMRR (dB Min)	Insulation Resistance @ 500Vdc
	TX	RX		TX	RX				
								0.3-100MHz	
LU4S041	1CT:1CT		28	0.5		1500	2.5	-	-
LU4S041B	1CT:1CT		28	0.3		1500	-	-	-
LU4S041C	1CT:1CT		28	0.4		1500	-	-	-
LU4S041F	1CT:1CT		-			1500	-	-	-
LU4S041X	1CT:1CT		56	0.5		1500	2.5	-	-
LU4S042	2CT:1CT	1CT:1CT	30	1.3	0.5	1500	2.5	-	-
LU4S042A	2CT:1	1CT:1CT	30	1.3	0.5	1500	2.5	-	-
LU4S049	1CT:1CT		28	0.4		1500	2.5	-	-
LU4S092	1.41CT:1CT	1CT:1CT	30	0.4		1500	-	-40	10000 MΩ
LU4S125A	1.25CT:1CT	1CT:1CT	28	0.5		1500	2.5	-	-
LU4S214A	1CT:1.414CT	1CT:1	28	0.4		1500	2.5	-	-
LU4S515	1CT:1CT		28	0.4		1500	2.5	-	-
LU4S516	1CT:1	1CT:1CT	28	0.4		1500	2.5	-	-
LU4S516B	1CT:1	1CT:1CT	28	0.4		1500	2.5	-	-
LU4S516D	1CT:1	1CT:1CT	28	0.4		1500	2.5	-	-
LU4S516E	1CT:1CT		-	-		1500	-	-	-

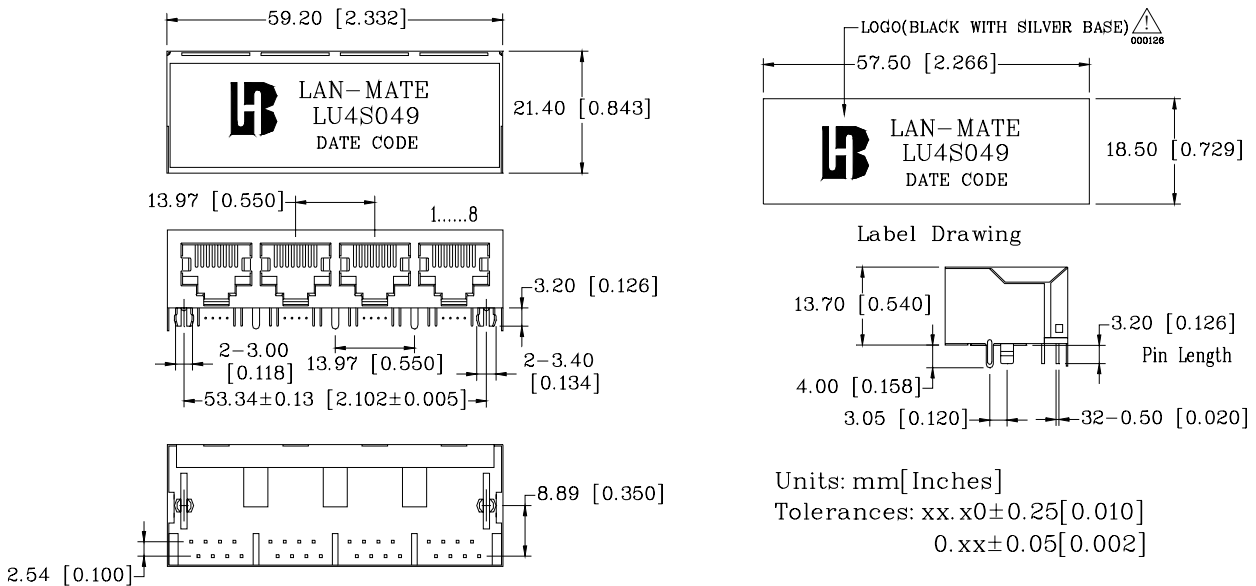
“LAN-MATE”SERIES
1X4 RJ45 CONNECTOR MODULE WITH INTEGRATED
10/100 BASE-TX MAGNETICS

Mechanicals

LU4SXXX



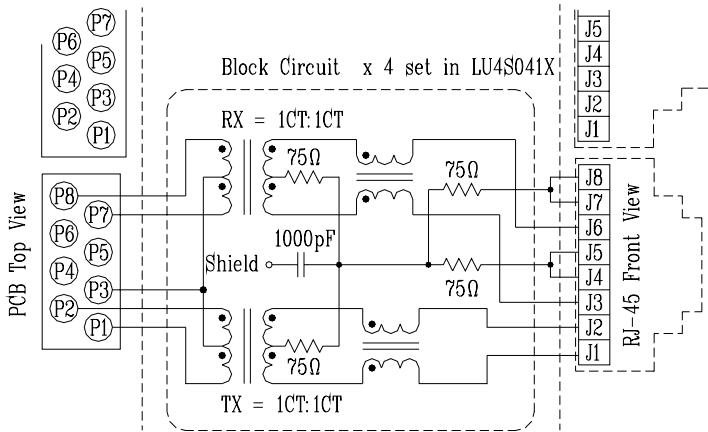
LU4S049



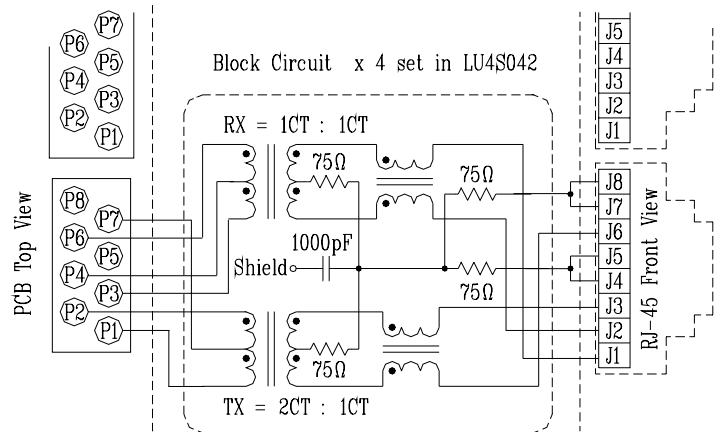
- Physical char :
1. Plastic Material : PBT 15% Glass Filled(UL 94V-0), Black Housing
 2. Metal Shield : Brass C2680-H, 20u Nickel Plated, t=0.25mm
 3. Spring Wire : 0.45mm Dia. Phosphor bronze over with 6u gold plated
 4. Solder Pin : 0.4x0.4mm, Phosphor bronze with solder Solder plated
 5. Durability : 300 Mating cycles Min.

“LAN-MATE” SERIES
1X4 RJ45 CONNECTOR MODULE WITH INTEGRATED
10/100 BASE-TX MAGNETICS

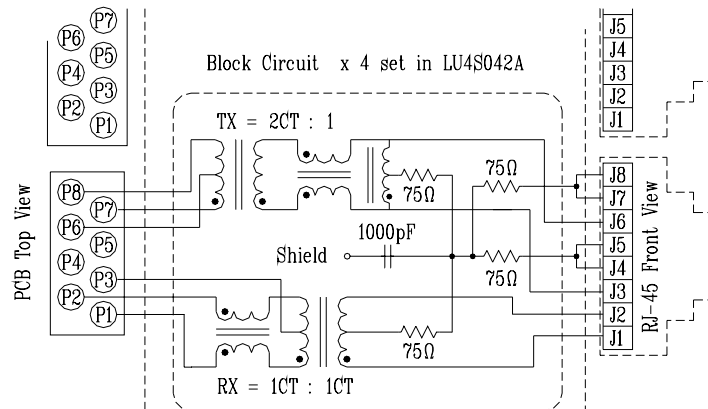
LU1S041X



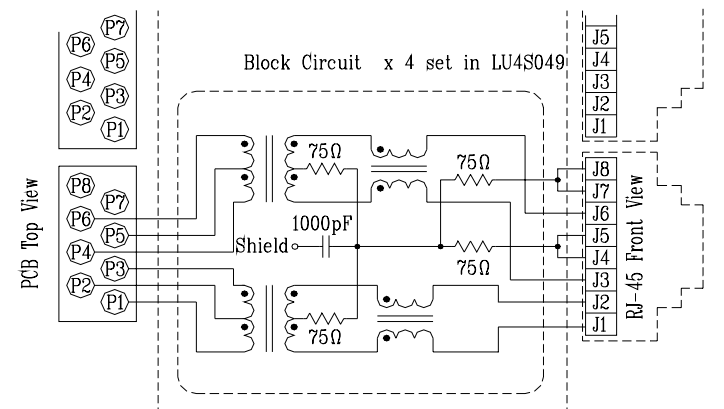
LU4S042



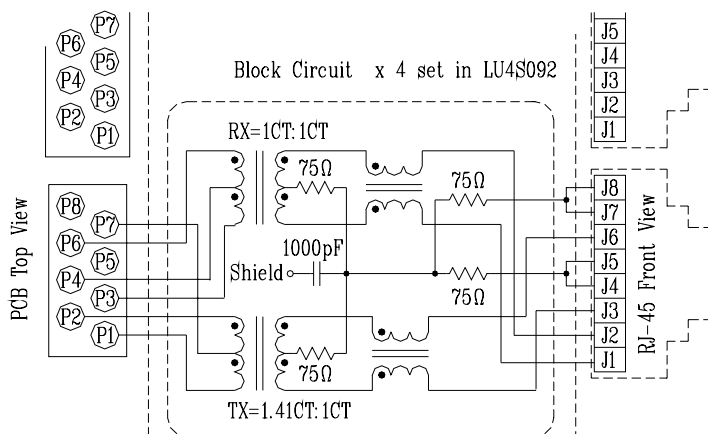
LU4S042A



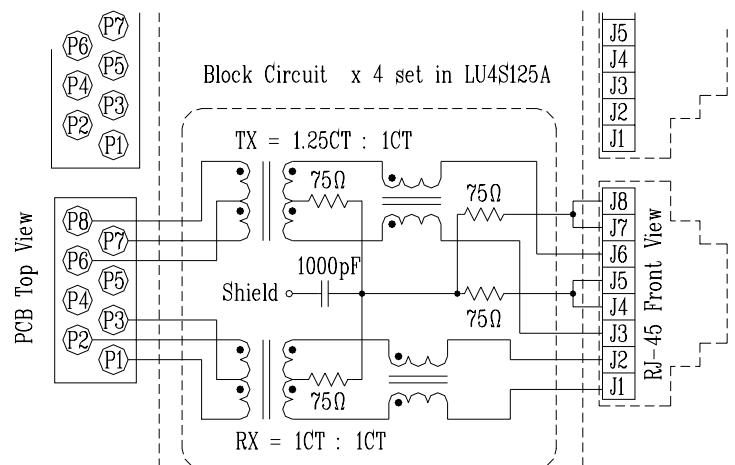
LU4S049



LU4S092

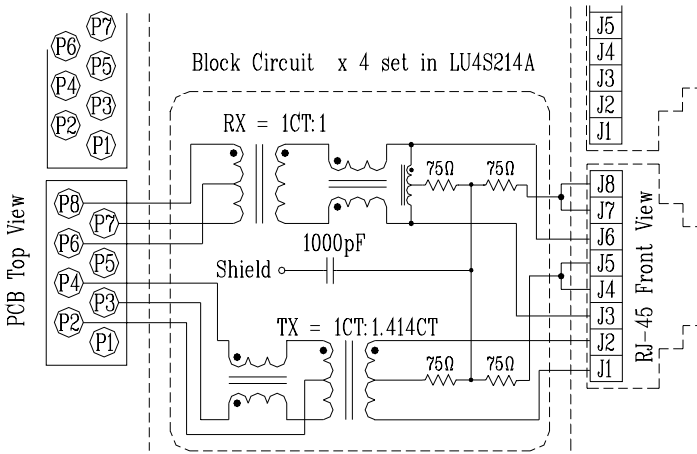


LU4S125A

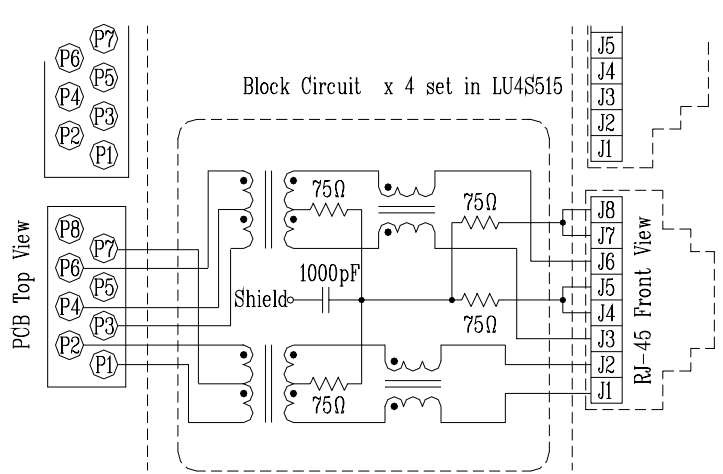


“LAN-MATE” SERIES
1X4 RJ45 CONNECTOR MODULE WITH INTEGRATED
10/100 BASE-TX MAGNETICS

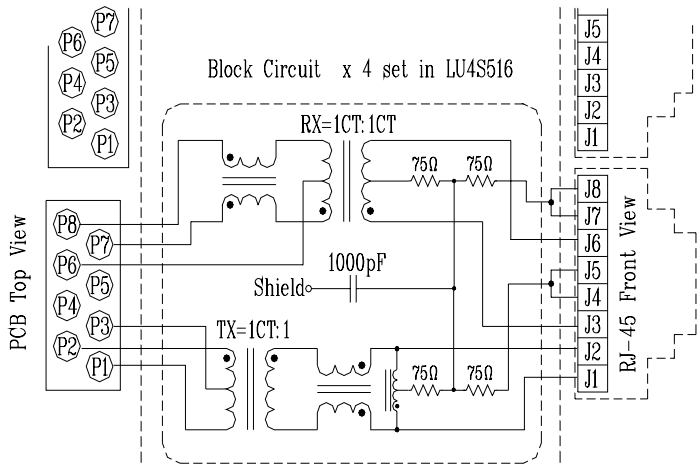
LU4S214A



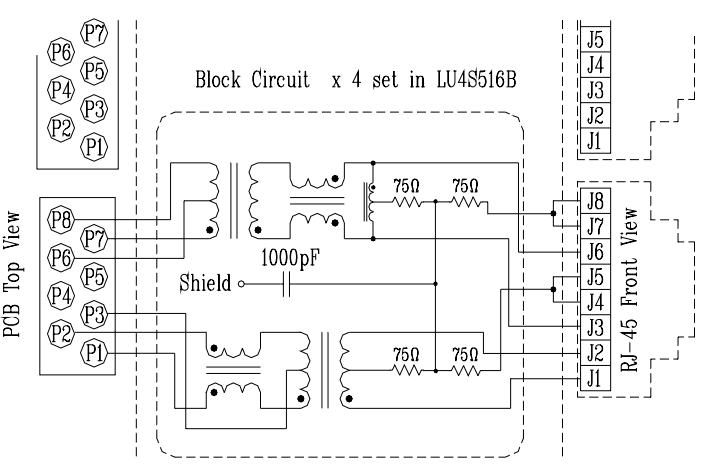
LU4S515



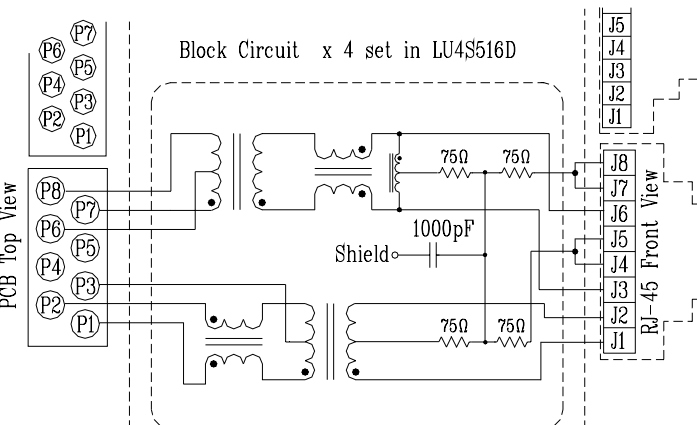
LU4S516



LU4S516B



LU4S516D



LU4S516E

