



LU4S041C-43 LF

“LAN-MATE” SERIES

1X4 RJ45 CONNECTOR MODULE WITH INTEGRATED 10/100 BASE-TX MAGNETICS AND 2LEDS

P/N: LU4S041C-43 LF

Feature



- RJ-45 connector integrated with X'FMR /impedance resistor/high voltage capacitor.
- Size same as RJ-45 connector to save PCB board space.
- Reduced EMI radiation to improve EMI performance.
- Design for 100 BASE transmission over UTP-5 cable.
- Comply with RoHS requirements-whole part No Cd, No Hg, No Cr6+, No PBB and PBDE and No Pb on external pins.
- Operating temperature range: 0 to +70 .
- Storage temperature range: -25 to +85 .
- Recommended panel

Part Number	Standard LED	Forward*V(Max)	(TYP)
3	YELLOW	2.6V	2.1V
4	GREEN	2.6V	2.2V

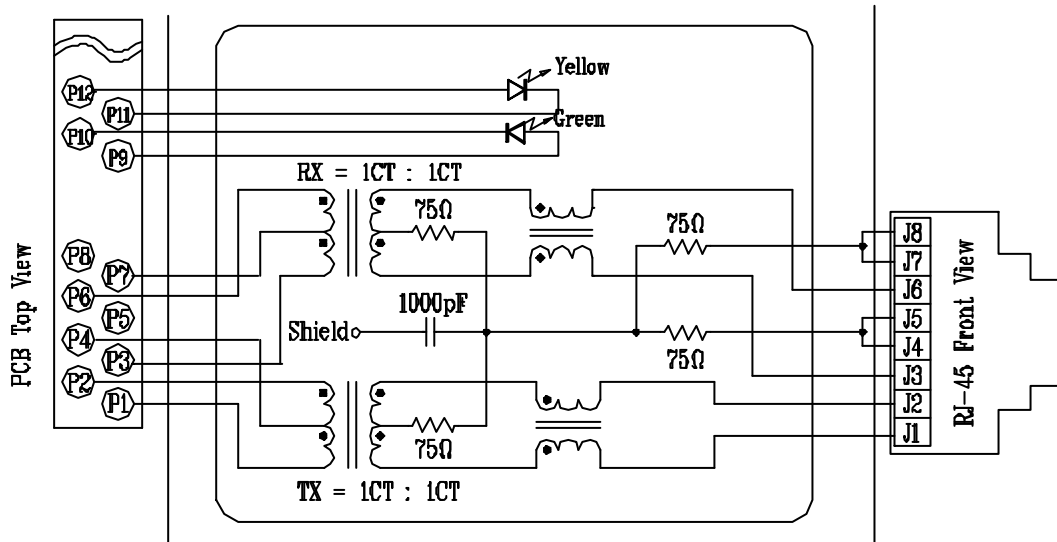
*With a forward current 20mA

Electrical Specifications @ 25° C							
Part Number	Turns Ratio (±5%)		OCL (uH Min) @ 100 KHz/0.1V with 8mA DC Bias	C _{www} (pF Max)	LL (uH Max)	Insertion Loss (dB Max) 0.3-100MHz	HI-POT (Vrms)
	TX	RX					
LU4S041C-43 LF	1CT:1CT	1CT:1CT	350	28	0.4	-1.15	1500

Continue											
Part Number	Return Loss (dB Min)					Cross talk (dB Min)			CMR (dB Min)		
	30MHz	40MHz	50MHz	60MHz	80MHz	0.3-30MHz	30-60MHz	60-100MHz	1-30MHz	30-60MHz	60-125MHz
LU4S041C-43 LF	-16	-14	-13.5	-13	-10	-40	-35	-30	-30	-25	-20

Schematic

Block Circuit x 4 set in LU4S041C-43 LF





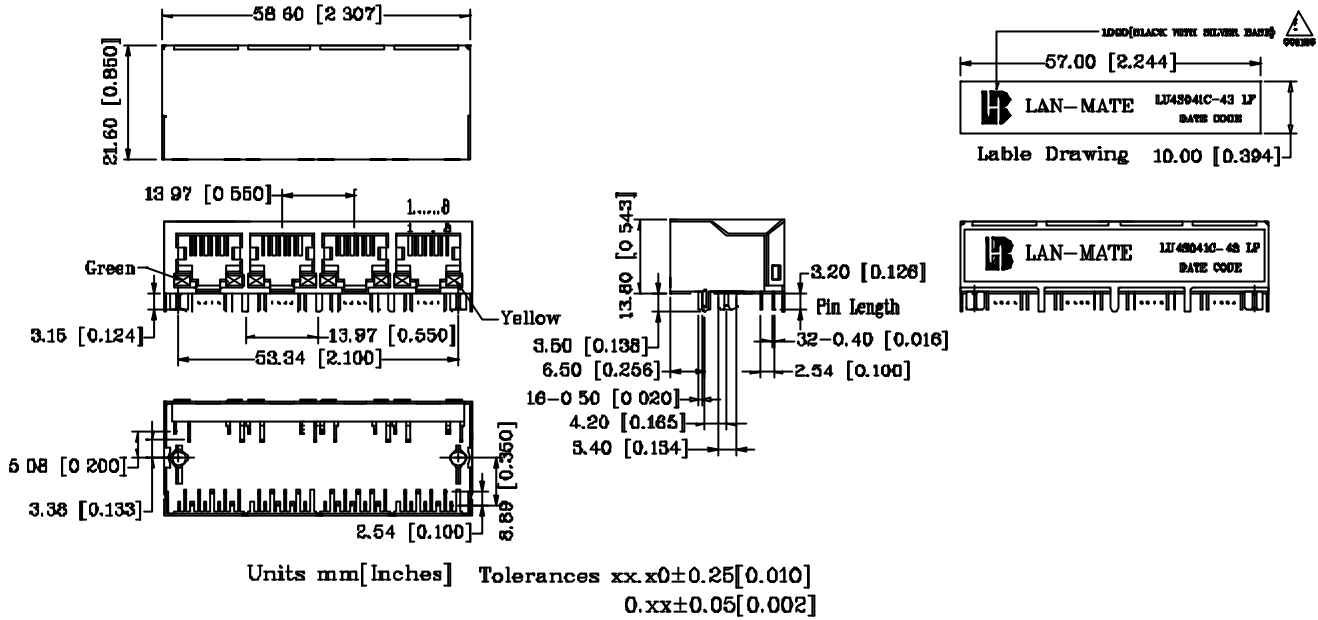
“LAN-MATE” SERIES

1X4 RJ45 CONNECTOR MODULE WITH INTEGRATED 10/100 BASE-TX MAGNETICS AND 2LEDS

P/N: LU4S041C-43 LF

Page : 2/2

Mechanical



- 1. Plastic Material : Thermoplastic (UL 94V-0), Black Housing
- 2. Metal Shield : Brass, 20u" inches thick Nickel
- 3. Spring Wire : Phosphor bronze with selective gold plating
- 4. Solder Pin : 0.4x0.4mm, Phosphor bronze with solder Plated.
- 5. Durability : 750 Mating cycles Min.

PCB Layout Mounting Hole(Top View)

