

**1X4 RJ45 CONNECTOR MODULE WITH INTEGRATED 10/100 BASE-TX MAGNETICS AND 2LEDS**

P/N: LU4S041C-43

Page : 1/2

**Feature**



- RJ-45 connector integrated with X'FMR /impedance resistor/high voltage capacitor.
- Size same as RJ-45 connector to save PCB board space.
- Reduce EMI radiation, improve EMI performance.
- Design for 100 BASE transmission over UTP-5 cable.
- Operating temperature range: 0°C to +70°C.
- Storage temperature range: -25°C to +85°C.
- Recommended panel

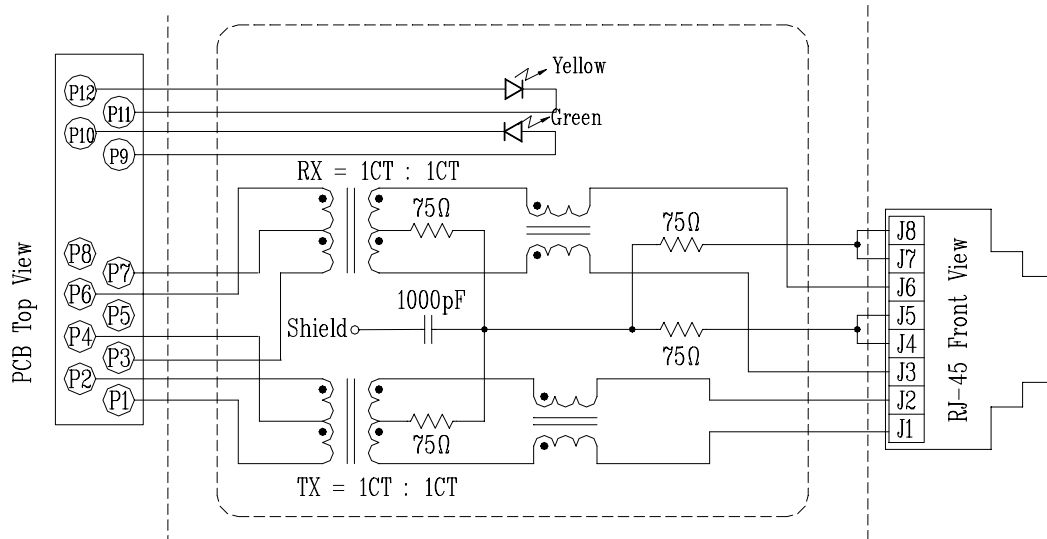
Part Number	Standard LED	Forward*V(Max)	(TYP)
3	YELLOW	2.6V	2.1V
4	GREEN	2.6V	2.2V

\*With a forward current 20mA

Electrical Specifications @ 25°C											
Part Number	Turns Ratio (±5%)		OCL (uH Min) @ 100 KHz/0.1V with 8mA DC Bias	C <sub>www</sub> (pF Max)	L.L (uH Max)	Insertion Loss (dB Max)TX/RX 0.3-100MHz	HI-POT (Vrms)				
	TX	RX									
LU4S041C-43	1CT:1CT	1CT:1CT	350	28	0.4	-1.15	1500				
Continue											
Part Number	Return Loss (dB Min)TX/RX					Cross talk (dB Min)TX/RX			CMR (dB Min) TX/RX		
	30MHz	40MHz	50MHz	60MHz	80MHz	0.3-30MHz	30-60MHz	60-100MHz	1-30MHz	30-60MHz	60-125MHz
LU4S041C-43	-16	-14	-13.5	-13	-10	-40	-35	-30	-30	-25	-20

**Schematic**

Block Circuit x 4 set in LU4S041C-43

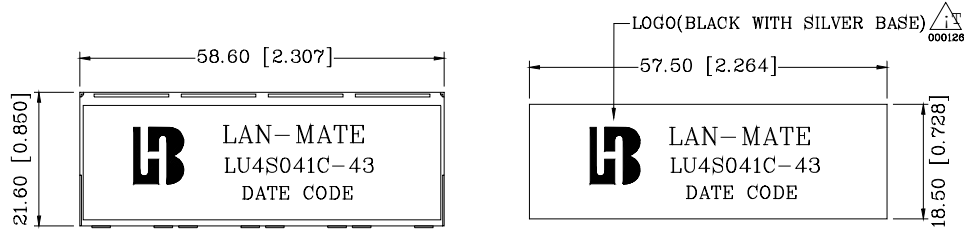


**1X4 RJ45 CONNECTOR MODULE WITH INTEGRATED 10/100 BASE-TX MAGNETICS AND 2LEDS**

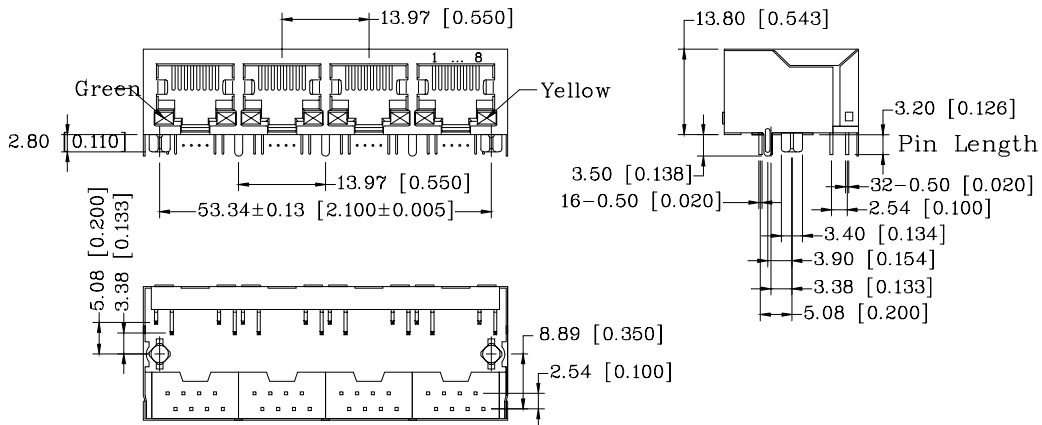
P/N: LU4S041C-43

Page : 2/2

**Mechanical**



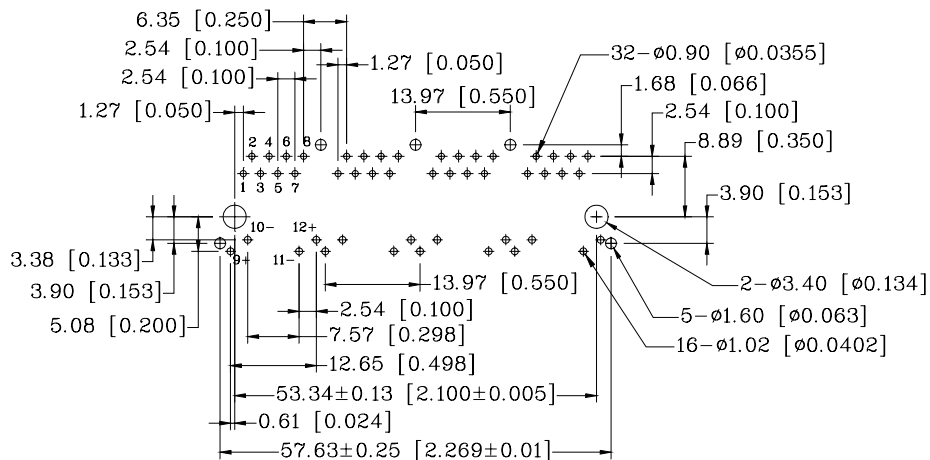
Label Drawing



Units: mm[Inches] Tolerances: xx.x0±0.25[0.010]  
0.xx±0.05[0.002]

1. Plastic Material : PBT 15% Glass Filled(UL 94V-0), Black Housing.
2. Metal Shield : Brass C2680-H, 20u Nickel Plated, t=0.25mm.
3. Spring Wire : 0.45mm Dia. Phosphor bronze with 6u gold plated.
4. Solder Pin : 0.4x0.4mm, Phosphor bronze with solder Plated.
5. Durability : 300 Mating cycles Min.

**PCB Layout Mounting Hole(Top View)**



Units: mm[Inches] Tolerances: xx.x0±0.25[0.010]  
0.xx±0.05[0.002]