



"Lan-Mate" Series

**1X4 RJ45 CONNECTOR MODULE WITH INTEGRATED 10/100 BASE-TX MAGNETICS**

P/N: LU4S049

Page : 1/2

**A. General Specifications**

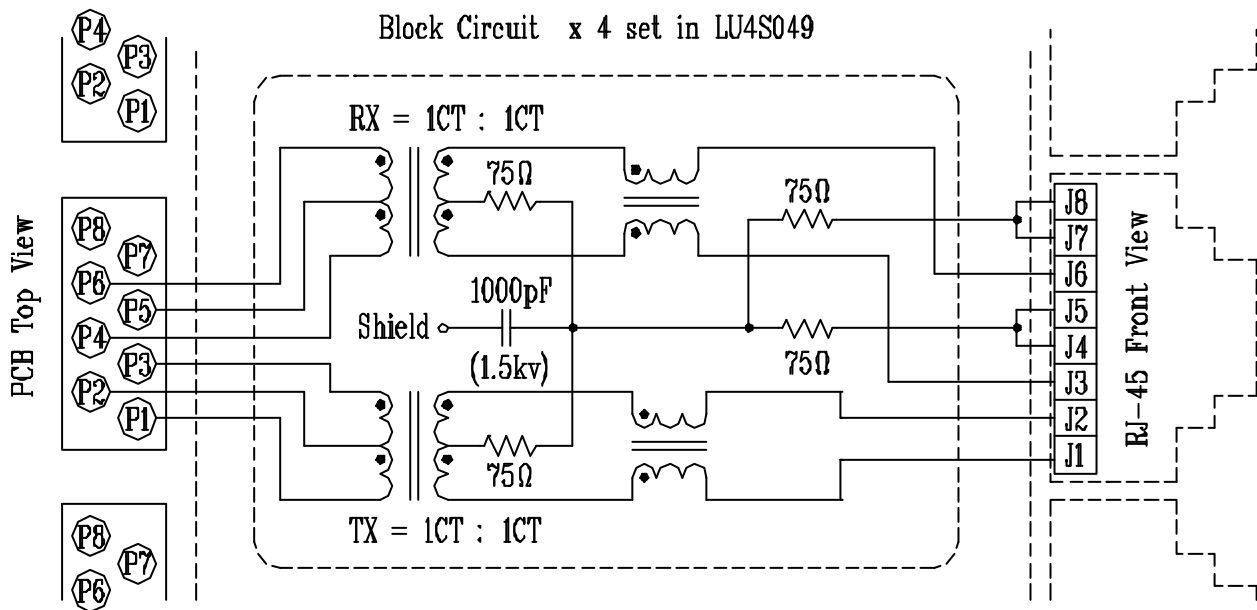
1. RJ-45 connector integrated with X' FMER /Impedance Resistor/High Voltage capacitor.
2. Size same as RJ-45 connector to save PCB board space.
3. Reduce EMI radiation, improve EMI performance.
4. Design for 100 BASE transmission over UTP-5 cable.
5. Operating temperature range: 0 °C to +70 °C.

**B. Electrical Specifications @25° C :**

1. Turns Ratio: RX =1CT:1CT & TX=1CT:1CT
2. Primary OCL inductance: 350i H Min at 100KHz/0.1V with 8mA DC Bias
3. Cw/w: 28pF Max
4. Leakage Inductance(TX&RX) : 0.4i H MAX
5. Insertion Loss ( 0.3 TO 100MHz ): -1.15 dB MAX
6. Return Loss (dB MIN):
 

30MHz	40MHz	50MHz	60MHz	80MHz
-16	-14	-13.5	-13	-10
7. Cross talk (dB MIN): -35 ( Frequency: 0.3-80 MHz)
8. Differential to Common Mode Rejection(dB MIN): -30 ( Frequency 0.3-100MHz)
9. Rise Time (10-90%): 2.5nS.Typ
10. HI-POT Isolation: 1500Vrms

**C. Schematic:**



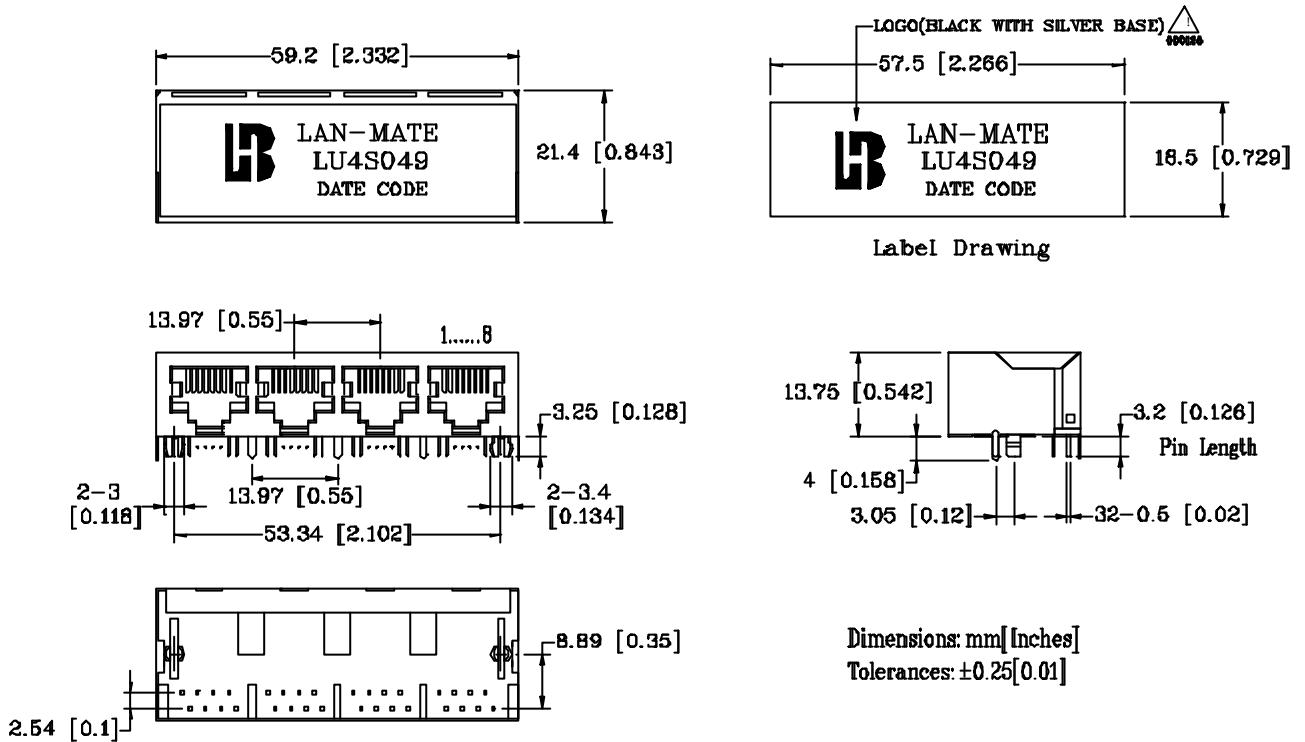
**“LAN-MATE” SERIES**

**1X4 RJ45 CONNECTOR MODULE WITH INTEGRATED 10/100 BASE-TX MAGNETICS**

P/N: LU4S049

Page : 2/2

**D. Mechanical :**



1. Plastic Material : PBT 15% Glass Filled (UL 94V-0) , Black Housing
2. Metal Shield : Brass C2680-H, 20u Nickle Plated, t=0.25mm
3. Spring Wire : 0.45mm Dia. Phosphor bronze with 6u gold plated .
4. Solder Pin : 0.4x0.4mm ,Phosphor bronze with Solder plated
5. Durability : 300 Mating cycles Min .

**E. PCB Layout Mounting Hole (Top View)**



Prepared :Luo Ming Li

Checked by: Xu Wenbing

Approved : Alexander Wu