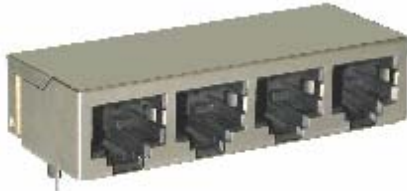


1X4 RJ45 CONNECTOR MODULE WITH INTEGRATED 10/100 BASE-TX MAGNETICS

P/N: LU4S516

Page : 1/3

Feature



- RJ-45 connector integrated with X'FMR /Impedance resistor/High voltage capacitor.
- Size same as RJ-45 connector to save PCB Board space.
- Reduce EMI radiation, Improve EMI performance.
- Design for 100 Base transmission over UTP-5 cable.
- Operating temperature range: 0°C to +70°C.
- Storage temperature range: -25°C to +125°C.

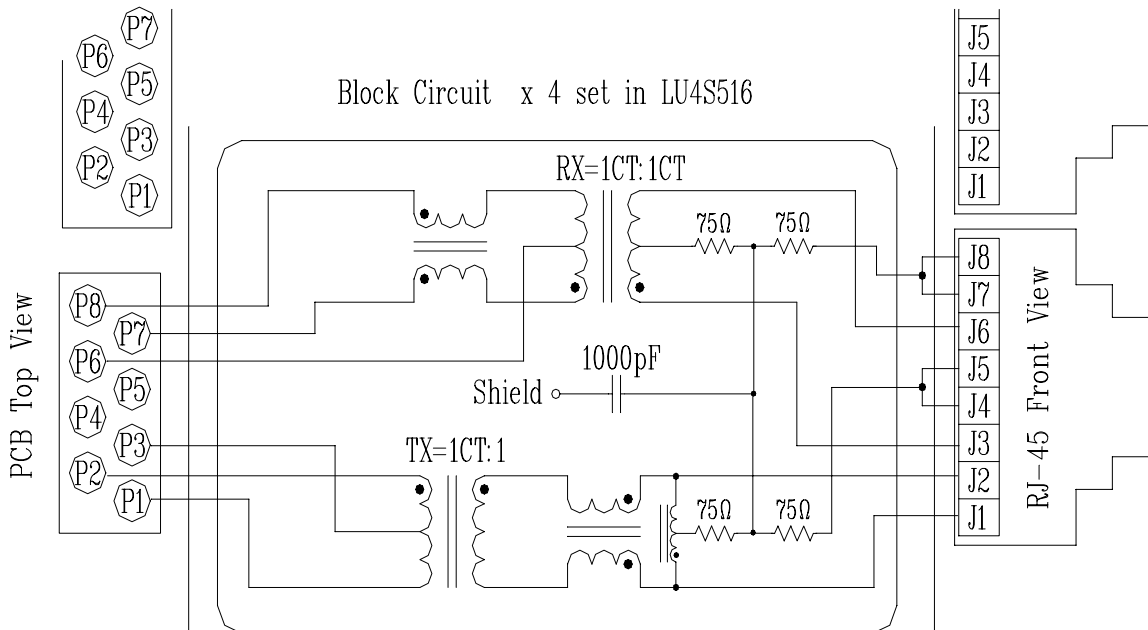
Electrical Specifications @ 25°C

Part Number	Turns Ratio (±5%)		OCL (uH Min) @ 100 KHz/0.1V with 8mA DC Bias	C _{WV} (pF Max)	L.L (uH Max)	Rise Time 10-90% (nS Typ)	Insertion Loss (dB Max) 0.3-100MHz	HI-POT (Vrms)
	TX	RX						
LU4S516	1CT:1	1CT:1CT	350	28	0.4	2.5	-1.15	1500

Continue

Part Number	Return Loss (dB Min)					Cross talk (dB Min)			CMR (dB Min)		
	30MHz	40MHz	50MHz	60MHz	80MHz	0.3-30MHz	30-60MHz	60-100MHz	1-30MHz	30-60MHz	60-125MHz
LU4S516	-16	-14	-13.5	-13	-10	-40	-35	-30	-30	-25	-20

Schematic

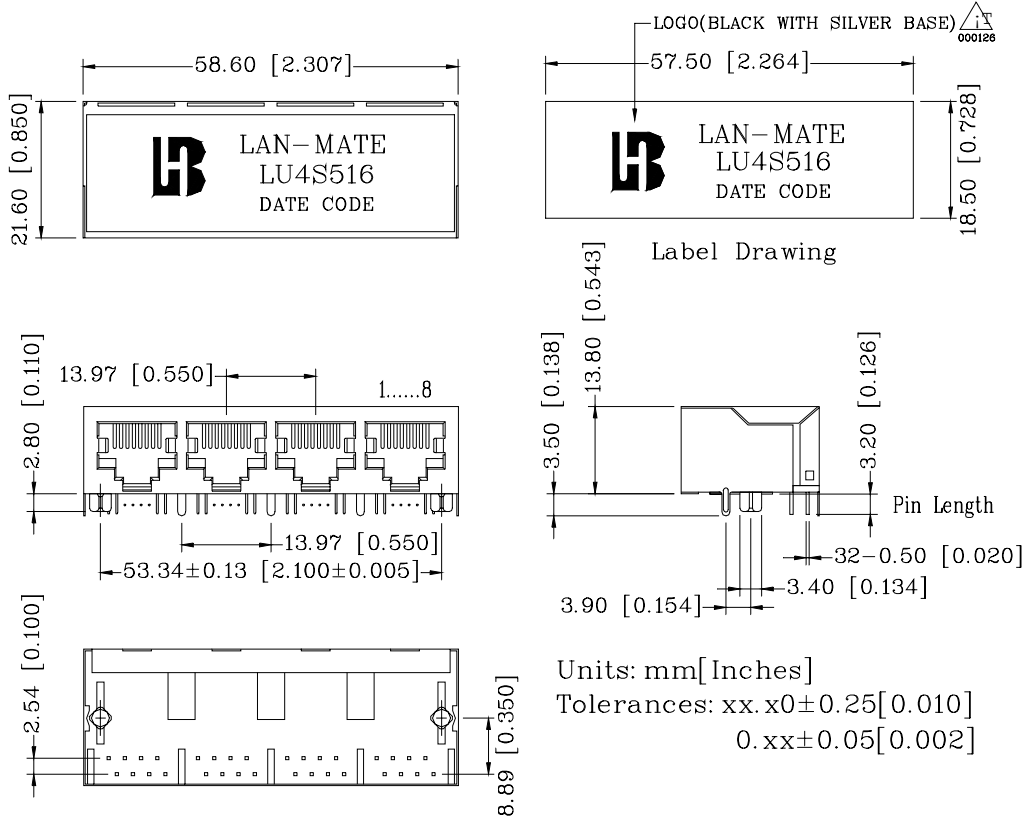


1X4 RJ45 CONNECTOR MODULE WITH INTEGRATED 10/100 BASE-TX MAGNETICS

P/N: LU4S516

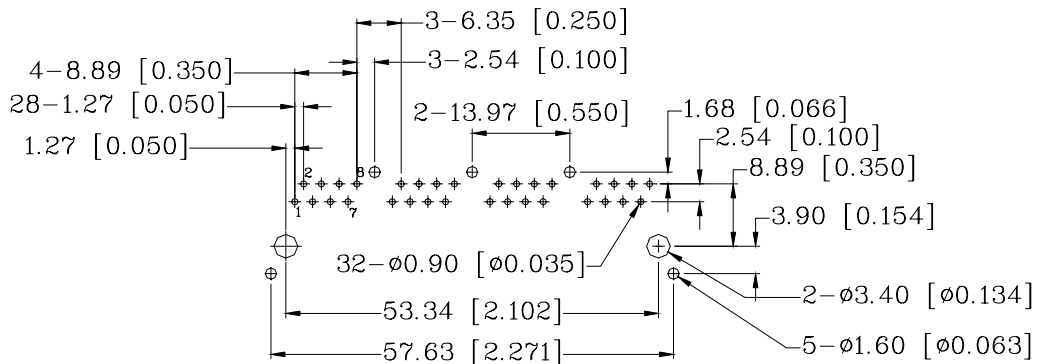
Page : 2/3

Mechanical



- | | |
|---------------------|---|
| 1. Plastic Material | : PBT 15% Glass Filled(UL 94V-0), Black Housing |
| 2. Metal Shield | : Brass C2680-H, 20u Nickel Plated, t=0.25mm |
| 3. Spring Wire | : 0.45mm Dia. Phosphor bronze with 6u gold plated |
| 4. Solder Pin | : 0.4x0.4mm, Phosphor bronze with solder Plated |
| 5. Durability | : 300 Mating cycles Min. |

PCB Layout Mounting Hole(Top View)



Bothhand USA. e-mail: sales@bothhandusa.com <http://www.bothhandusa.com>

1X4 RJ45 CONNECTOR MODULE WITH INTEGRATED 10/100 BASE-TX MAGNETICS

P/N: LU4S516

Page : 3/3
