



LU4S516-XX LF

“LAN-MATE” SERIES

SINGLE RJ45 CONNECTOR MODULE WITH INTEGRATED 10/100 BASE-TX MAGNETICS AND LEDS

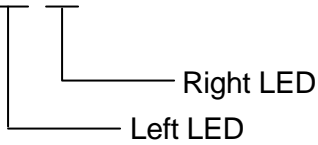
P/N: LU4S516-XX LF

Page : 1/2

Feature



Example Part Number Format:
X X (Front View)



- Complies with requirement of IEEE802.3u standards.
- RJ 45 connector with 10/100 BASE-TX magnetic.
- Includes integrated 2 LEDS(option).
- LED signal leads are isolated from the Ethernet signal leads to reduce EMI and cross talk.
- Comply with RoHS requirements-whole part No Cd, No Hg, No Cr6+, No PBB and PBDE and No Pb on external pins.
- Operating temperature range: 0 to +70 .
- Storage temperature range: -25 to +85 .
- Recommended panel

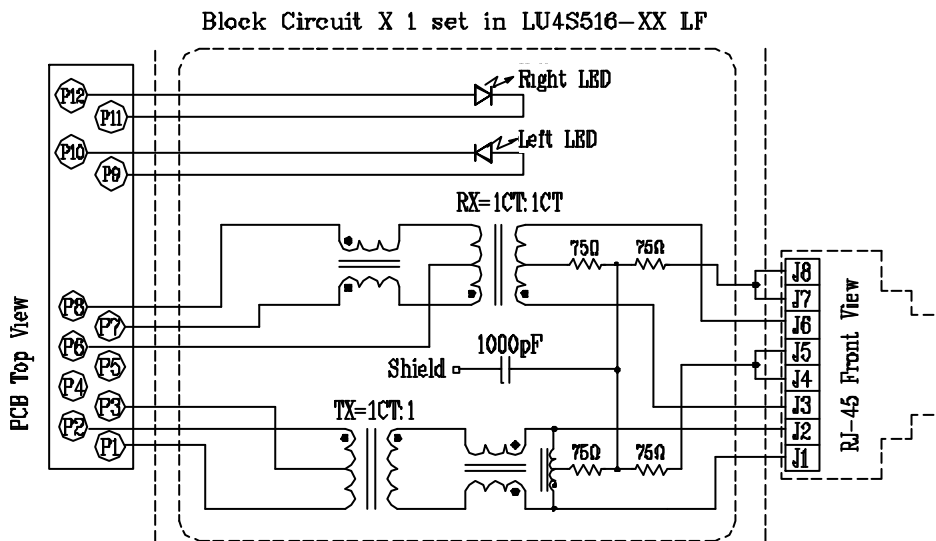
Part Number	Standard LED	Forward*V(Max)	(TYP)
3	YELLOW	2.6V	2.1V
4	GREEN	2.6V	2.2V

*With a forward current 20mA

Electrical Specifications @ 25° C							
Part Number	Turns Ratio (±5%)		OCL (uH Min) @ 100 KHz/0.1V with 8mA DC Bias	C _{www} (pF Max)	L.L (uH Max)	Insertion Loss (dB Max) 0.3-100MHz	HI-POT (Vrms)
	TX	RX					
LU4S516-XX LF	1CT:1	1CT:1CT	350	28	0.4	-1.15	1500

Continue											
G Part Number	Return Loss (dB Min)					Cross talk (dB Min)			CMR (dB Min)		
	30MHz	40MHz	50MHz	60MHz	80MHz	0.3-30MHz	30-60MHz	60-100MHz	1-30MHz	30-60MHz	60-125MHz
LU4S516-XX LF	-16	-14	-13.5	-13	-10	-40	-35	-30	-30	-25	-20

Schematic



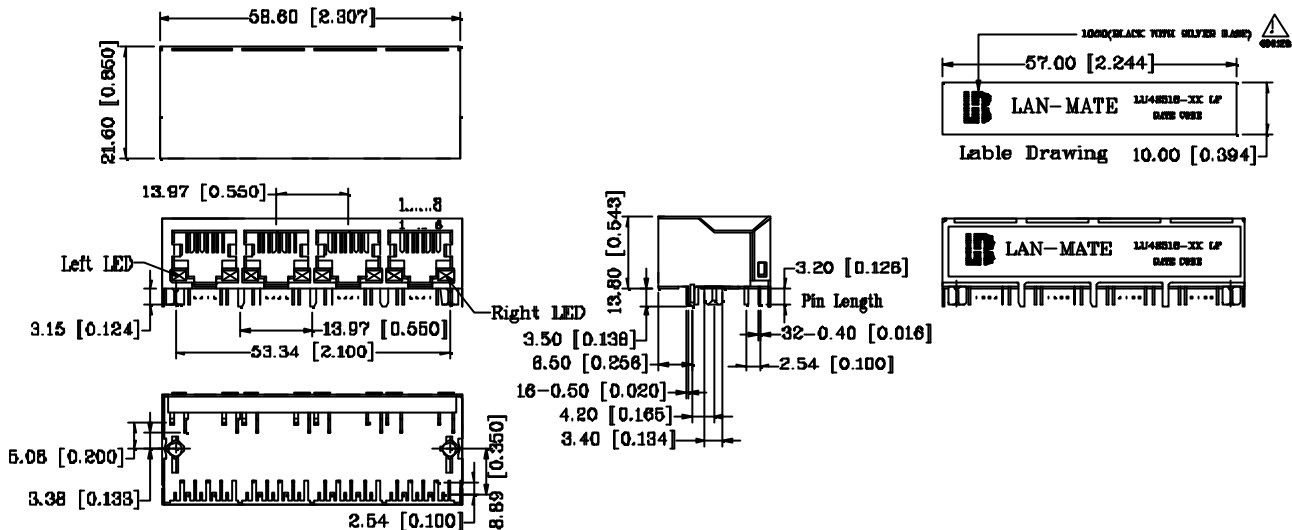


“LAN-MATE” SERIES

SINGLE RJ45 CONNECTOR MODULE WITH INTEGRATED 10/100 BASE-TX MAGNETICS AND LEDS

P/N: LU4S516-XX LF

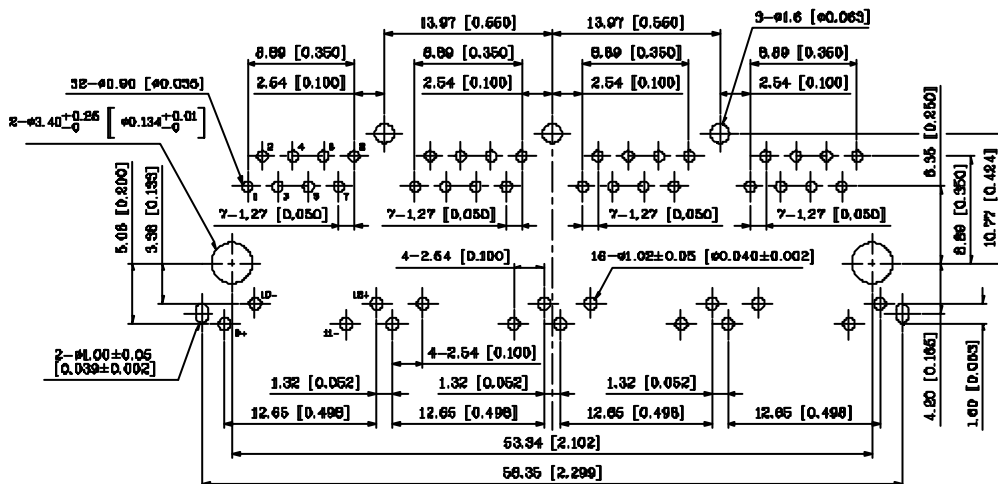
Mechanical



Units: mm[Inches] Tolerances: xx.x0±0.25[0.010]
 0.xx±0.05[0.002]

1. Plastic Material : Thermoplastic (UL 94V-0), Black Housing
2. Metal Shield : Brass, 20u" inches thick Nickel
3. Spring Wire : Phosphor bronze with selective gold plating
4. Solder Pin : 0.4x0.4mm, Phosphor bronze with solder Plated.
5. Durability : 750 Mating cycles Min.

PCB Layout Mounting Hole(Top View)



Units: mm[Inches] Tolerances XX.XD±0.25[0.010]
 0.XX±0.05[0.002]