

**“LAN-MATE” SERIES**

**1X4 RJ45 CONNECTOR MODULE WITH INTEGRATED 10/100 BASE-TX MAGNETICS**

**P/N: LU4T041A1 LF**

**Feature**

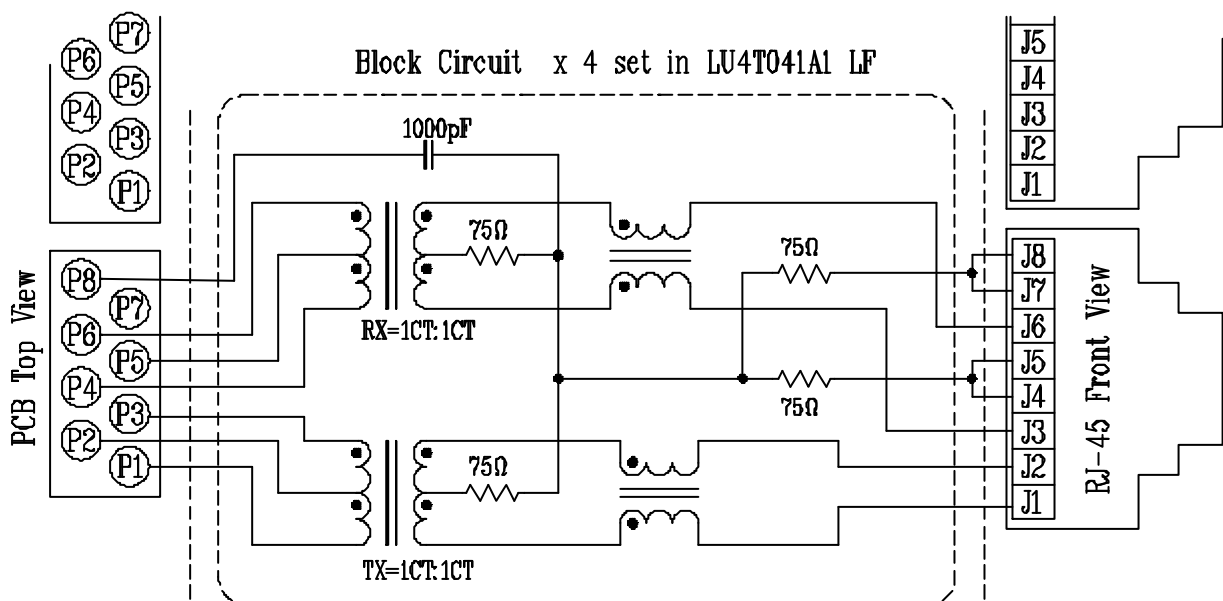


- RJ-45 needs to be matched FCC standard
- Complies with requirement of IEEE802.3u standards.
- RJ 45 connector with 10/100 BASE-TX magnetic.
- Comply with RoHS requirements-whole part No Cd, No Hg, No Cr6+, No PBB and PBDE and No Pb on external pins.
- Operating temperature range: 0 to +70 .
- Storage temperature range: -25 to +125 .

Electrical Specifications @ 25°C								
Part Number	Turns Ratio (±5%) TX/RX	OCL (uH Min) @100KHz/0.1V with 8mA DC Bias	C <sub>www</sub> (pF Max)	L.L (uH Max)	Cross talk (dB Min)			HI-POT (Vrms)
					0.3-30MHz	30-60MHz	60-100MHz	
LU4T041A1 LF	1CT:1CT	350	28	0.4	-40	-35	-30	1500

Continue									
Part Number	Insertion Loss (dB Max)	Return Loss (dB Min)					CMR (dB Min)		
		0.3-100MHz	30MHz	40MHz	50MHz	60MHz	80MHz	1-30MHz	30-60MHz
LU4T041A1 LF	-1.15	-16	-14	-13.5	-13	-10	-30	-25	-20

**Schematic**

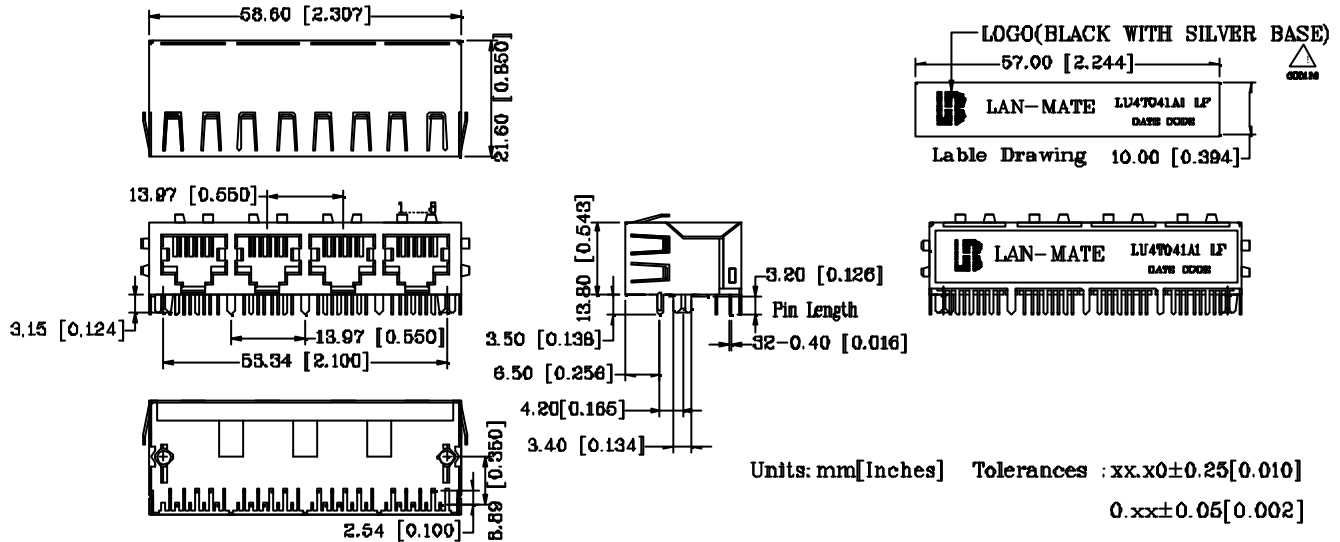


**“LAN-MATE” SERIES**

**1X4 RJ45 CONNECTOR MODULE WITH INTEGRATED 10/100 BASE-TX MAGNETICS**

**P/N: LU4T041A1 LF**

**Mechanical**



- 1. Plastic Material : Thermoplastic (UL 94V-0), Black Housing
- 2. Metal Shield : Brass, 20u" inches thick Nickel
- 3. Spring Wire : Phosphor bronze with selective gold plating
- 4. Solder Pin : 0.4x0.4mm, Phosphor bronze with solder Plated
- 5. Durability : 750 Mating cycles Min.

**PCB Layout Mounting Hole(Top View)**

