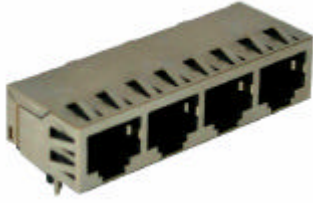


**“LAN-MATE” SERIES**

**1X4 RJ45 CONNECTOR MODULE WITH INTEGRATED 10/100 BASE-TX MAGNETICS**

**P/N: LU4T041C LF**

**Feature**



- RJ-45 needs to be matched FCC standard
- Complies with requirement of IEEE802.3u standards.
- RJ 45 connector with 10/100 BASE-TX magnetic.
- Comply with RoHS requirements-whole part No Cd, No Hg, No Cr6+, No PBB and PBDE and No Pb on external pins
- Operating temperature range: 0 to +70 .
- Storage temperature range: -25 to +125 .

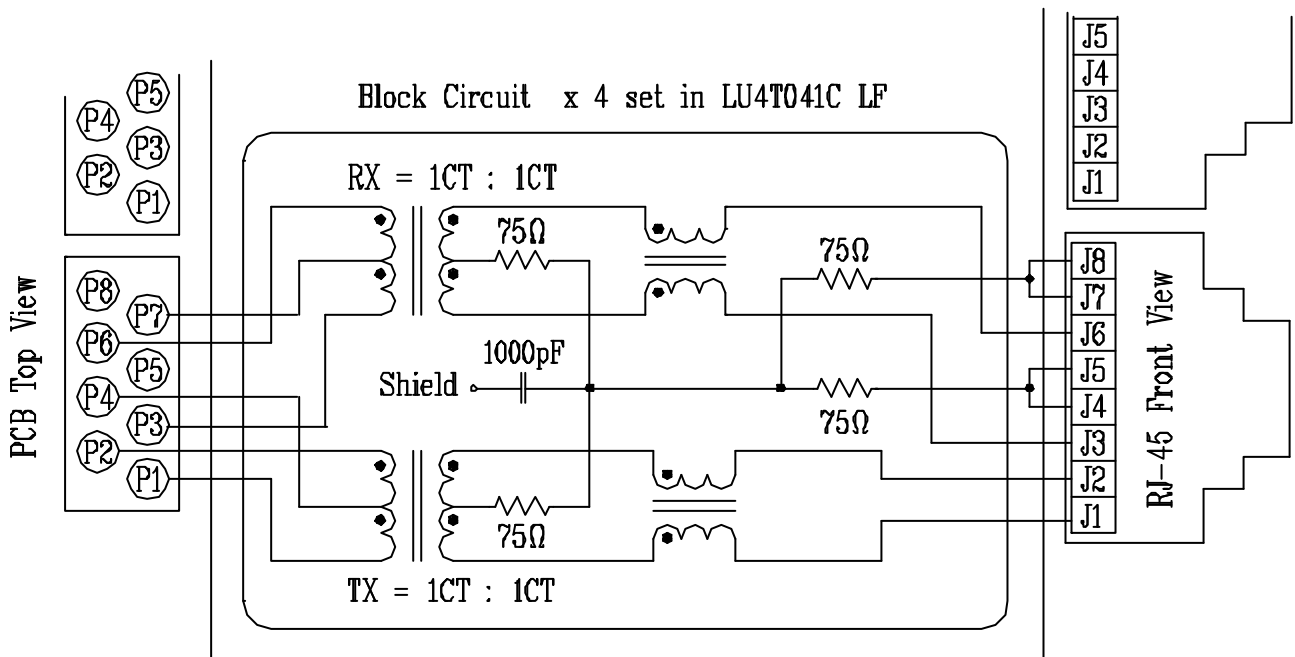
**Electrical Specifications @ 25°C**

Part Number	Turns Ratio (±5%)		OCL(uH Min) @ 100 KHz/0.1V with 8mA DC Bias	C <sub>www</sub> (pF Max)	L.L (uH Max)	Cross talk (dB Min)			HI-POT (Vrms)
	TX	RX				0.3-30MHz	30-60MHz	60-100 MHz	
LU4T041C LF	1CT:1CT	1CT:1CT	350	28	0.4	-40	-35	-30	1500

**Continue**

Part Number	Insertion Loss (dB Max)	Return Loss (dB Min)					CMR (dB Min)		
		0.3-100MHz	30MHz	40MHz	50MHz	60MHz	80MHz	1-30MHz	30-60MHz
LU4T041C LF	-1.15	-16	-14	-13.5	-13	-10	-30	-25	-20

**Schematic**

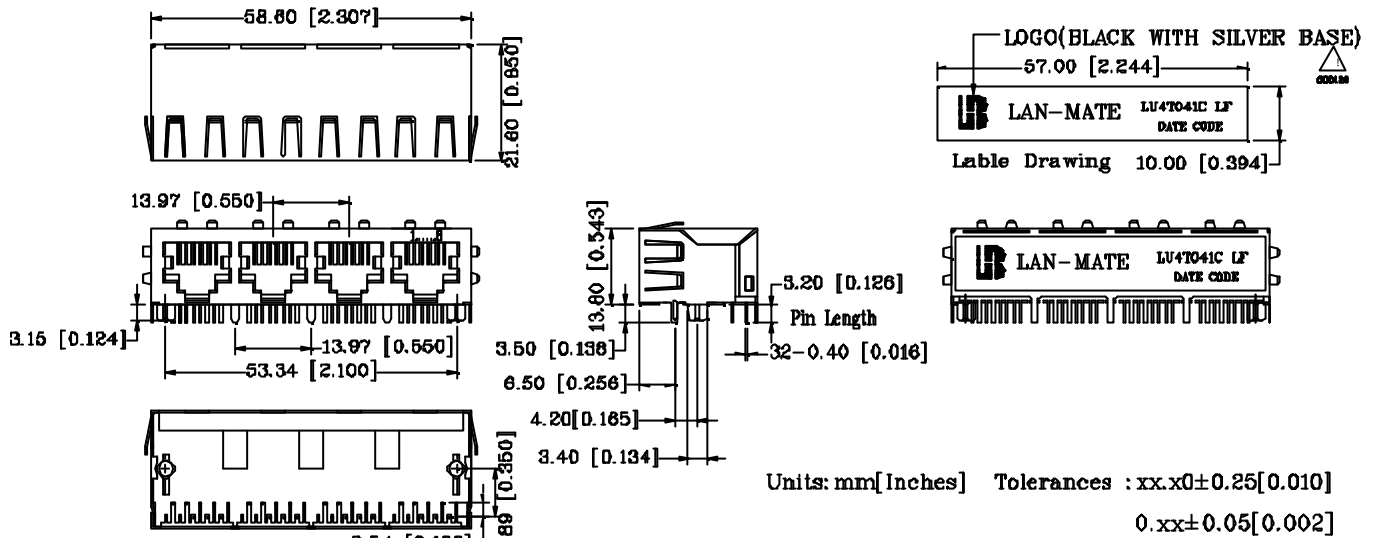


**“LAN-MATE” SERIES**

**1X4 RJ45 CONNECTOR MODULE WITH INTEGRATED 10/100 BASE-TX MAGNETICS**

**P/N: LU4T041C LF**

**Mechanical**



- |                     |   |   |
|---------------------|---|---|
| 1. Plastic Material | : | Thermoplastic (UL 94V-0), Black Housing       |
| 2. Metal Shield     | : | Brass, 20u" inches thick Nickel               |
| 3. Spring Wire      | : | Phosphor bronze with selective gold plating   |
| 4. Solder Pin       | : | 0.4x0.4mm, Phosphor bronze with solder Plated |
| 5. Durability       | : | 750 Mating cycles Min.                        |

**PCB Layout Mounting Hole(Top View)**

