

SINGLE RJ45 CONNECTOR MODULE WITH INTEGRATED 10/100 BASE-TX MAGNETICS & 3LED

P/N: NU1S041-434

Feature



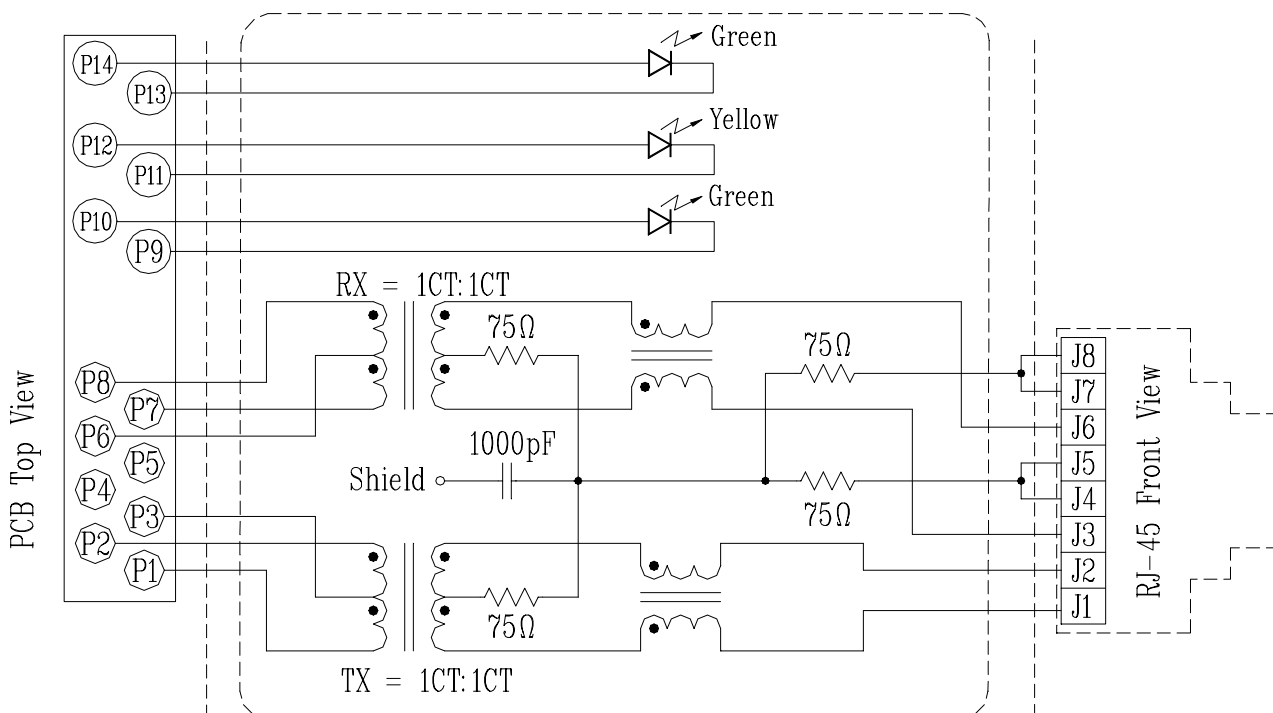
- RJ-45 connector integrated with X'FMR / Impedance Resistor/High Voltage Capacitor
- Size same as RJ-45 connector to save PCB board space.
- Reduce EMI radiation, improve EMI performance.
- Design for 100 base transmission over UTP-5 CABLE.
- Operating temperature range: 0°C to +70°C.
- Storage temperature range: -40°C to +85°C.

Electrical Specifications @ 25°C							
Part Number	Turns Ratio (±5%)		Inductance(uH Min) @ 100 KHz/0.1V with 8mA DC Bias	CW/W (pF Max)	Leakage Inductance (uH Max)	Rise Time: 10-90% (ns Typ)	Voltage isolation (Vrms)
	TX	RX					
NU1S041-434	1CT:1CT	1CT:1CT	350	28	0.5	2.5	1500

Continue								
Part Number	Insertion Loss (dB Max)	Return Loss TX/RX(dB Min)					Cross talk (dB Min)	Differential to Common Mode Rejection (dB Min)
		0.3-100MHz	30MHz	40MHz	50MHz	60MHz		
NU1S041-434	-1.15	-16	-14	-13.5	-13	-10	-35	-30

Schematic

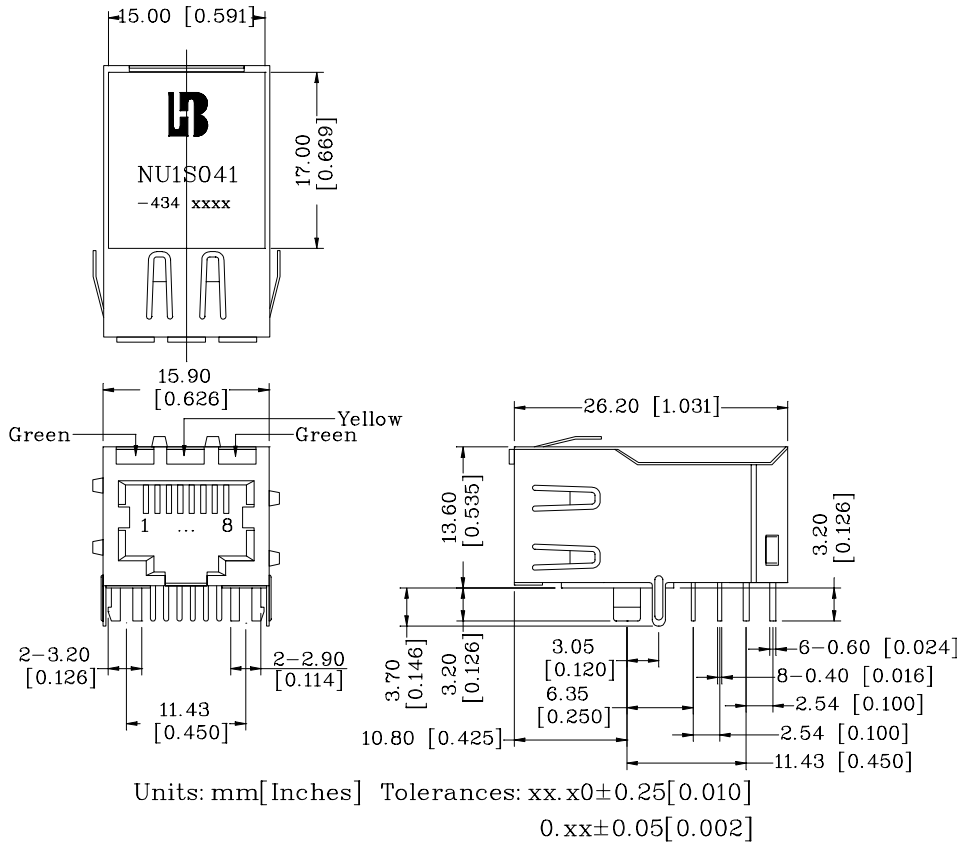
Block Circuit x 1 set in NU1S041-434



SINGLE RJ45 CONNECTOR MODULE WITH INTEGRATED 10/100 BASE-TX MAGNETICS & 3LED

P/N: NU1S041-434

Mechanical



- 1. Plastic Material : PBT 15% Glass Filled(UL 94V-0), Black Housing
- 2. Metal Shield : Brass C2680-H, 20u Nickel Plated, t=0.25mm
- 3. Spring Wire : 0.45mm Dia. Phosphor bronze with 6u gold plated
- 4. Solder Pin : 0.4x0.4mm, Phosphor bronze with solder Plated
- 5. Durability : 300 Mating cycles Min.

PCB Layout Mounting Hole(Top View)

