

**SINGLE RJ45 CONNECTOR MODULE WITH INTEGRATED 10/100 BASE-TX MAGNETICS**

P/N: PLU1S041-43

**Feature**

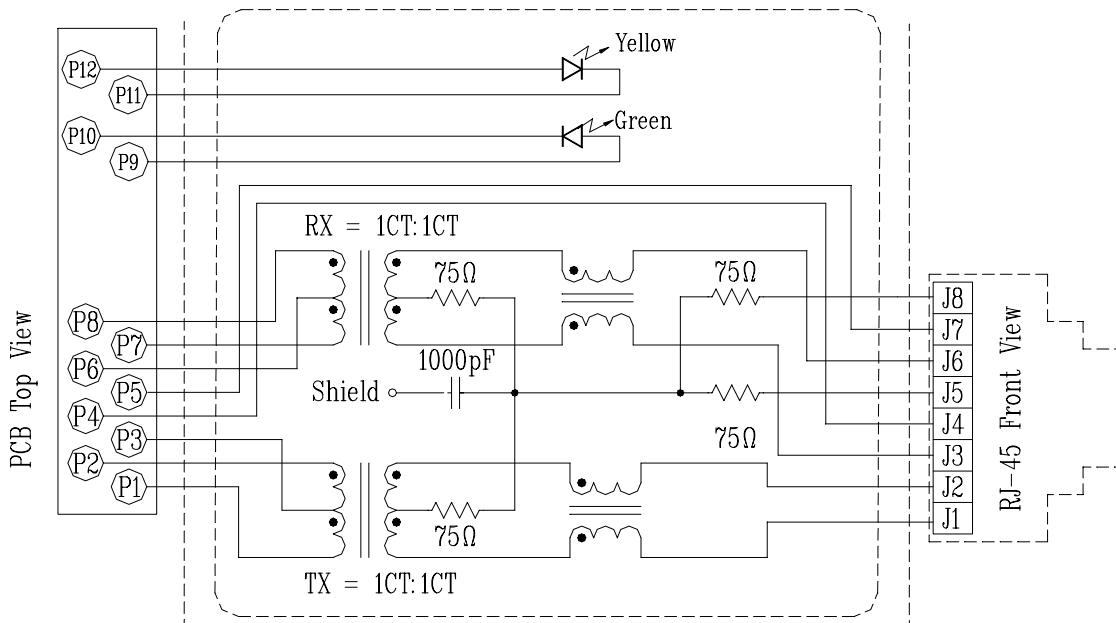


- RJ-45 connector integrated with transformer/impedance resistor/high voltage capacitor.
- Size same as RJ-45 connector to save PCB board space.
- Reduce EMI radiation improve EMI performance.
- Design for 10/100 BASE transmission over UTP-5 cable.
- Operating temperature range: 0°C to +70°C.
- Storage temperature range: -25°C to +125°C.

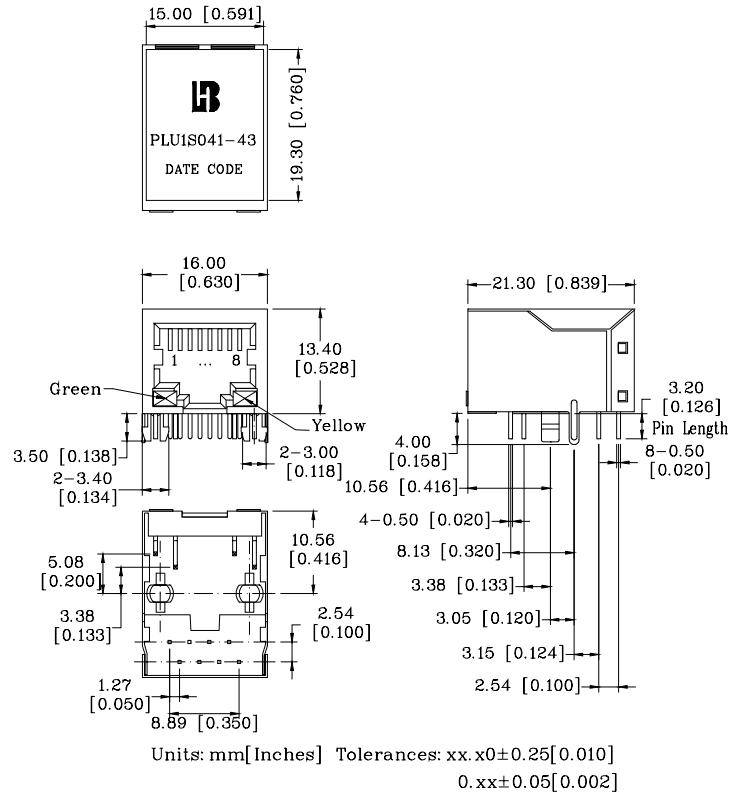
Electrical Specifications @ 25°C											
Part Number	Turns Ratio (±5%)		OCL (uH Min) @ 100 KHz/0.1V with 8mA DC Bias			C <sub>www</sub> (pF Max)	L.L (uH Max)	Rise Time 10-90% (nS Typ)	Insertion Loss (dB Max)		HI-POT (Vrms)
	TX	RX			0.3-100MHz						
PLU1S041-43	1CT:1CT	1CT:1CT	350			28	0.4	2.5	-1.15		1500
Continue											
Part Number	Return Loss (dB Min)					Cross talk (dB Min)			CMR (dB Min)		
	30MHz	40MHz	50MHz	60MHz	80MHz	0.3-30MHz	30-60MHz	60-100MHz	1-30MHz	30-60MHz	60-125MHz
PLU1S041-43	-16	-14	-13.5	-13	-10	-40	-35	-30	-30	-25	-20

**Schematic**

Block Circuit x 1 set in PLU1S041-43



**Mechanical**



- 1. Plastic Material : PBT 15% Glass Filled(UL 94V-0), Black Housing
- 2. Metal Shield : Brass C2680-H, 20u Nickel Plated, t=0.25mm
- 3. Spring Wire : 0.45mm Dia. Phosphor bronze with 6u gold plated
- 4. Solder Pin : 0.4x0.4mm, Phosphor bronze with solder Plated
- 5. Durability : 300 Mating cycles Min.

**PCB Layout Mounting Hole(Top View)**

