



P/N: NU1S515-434 LF

Feature



- RJ-45 connector integrated with X'FMR / Impedance Resistor/High Voltage Capacitor.
- Size same as RJ-45 connector to save PCB board space.
- Reduced EMI radiation to improve EMI performance.
- Design for 100 base transmission over UTP-5 CABLE.
- Comply with RoHS requirements-whole part No Cd, No Hg, No Cr6+, No PBB and PBDE and No Pb on external pins.
- Operating temperature range: 0 to +70 .
- Storage temperature range: -25 to +85 .

Code	1	3	4	Empty
LED Color	Red	Yellow	Green	No LED

Electrical Specifications @ 25° C

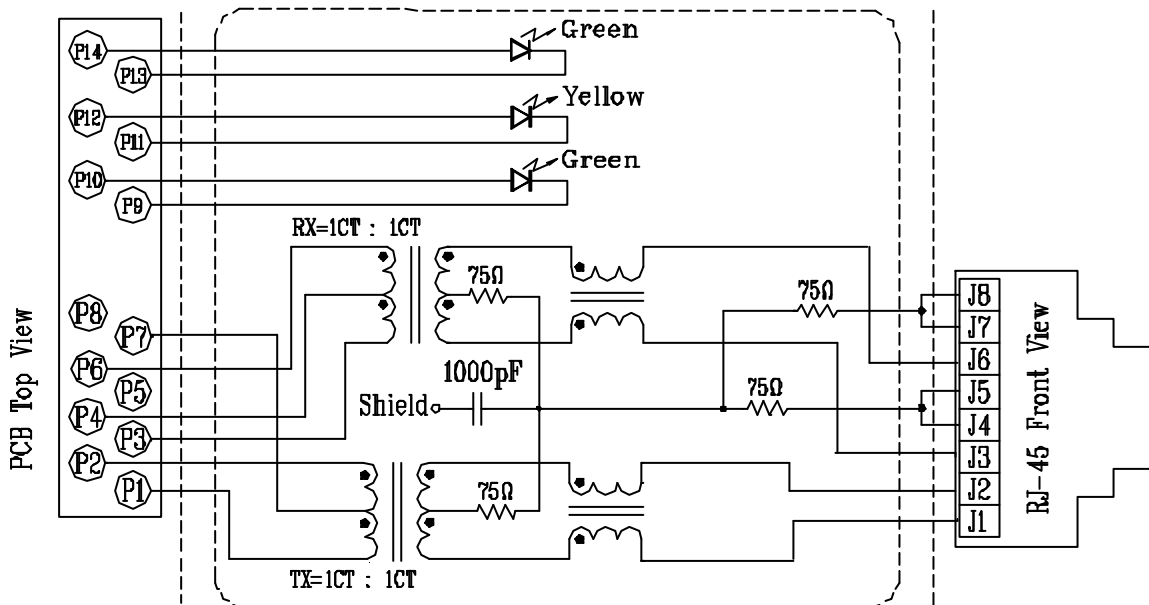
Part Number	Turns Ratio (±5%)		OCL(uH Min) @ 100KHz/0.1V with 8mA DC Bias	C _{www} (pF Max)	L.L (uH Max)	Insertion Loss (dB Max) 0.3-100MHz	HI-POT (Vrms)
	TX	RX					
NU1S515-434 LF	1CT:1CT	1CT:1CT	350	28	0.4	-1.15	1500

Continue

Part Number	Return Loss (dB Min)					Cross talk (dB Min)			CMR (dB Min)		
	30MHz	40MHz	50MHz	60MHz	80MHz	0.3-30MHz	30-60MHz	60-100MHz	1-30MHz	30-60MHz	60-125MHz
NU1S515-434 LF	-16	-14	-13.5	-13	-10	-40	-35	-30	-30	-25	-20

Schematic

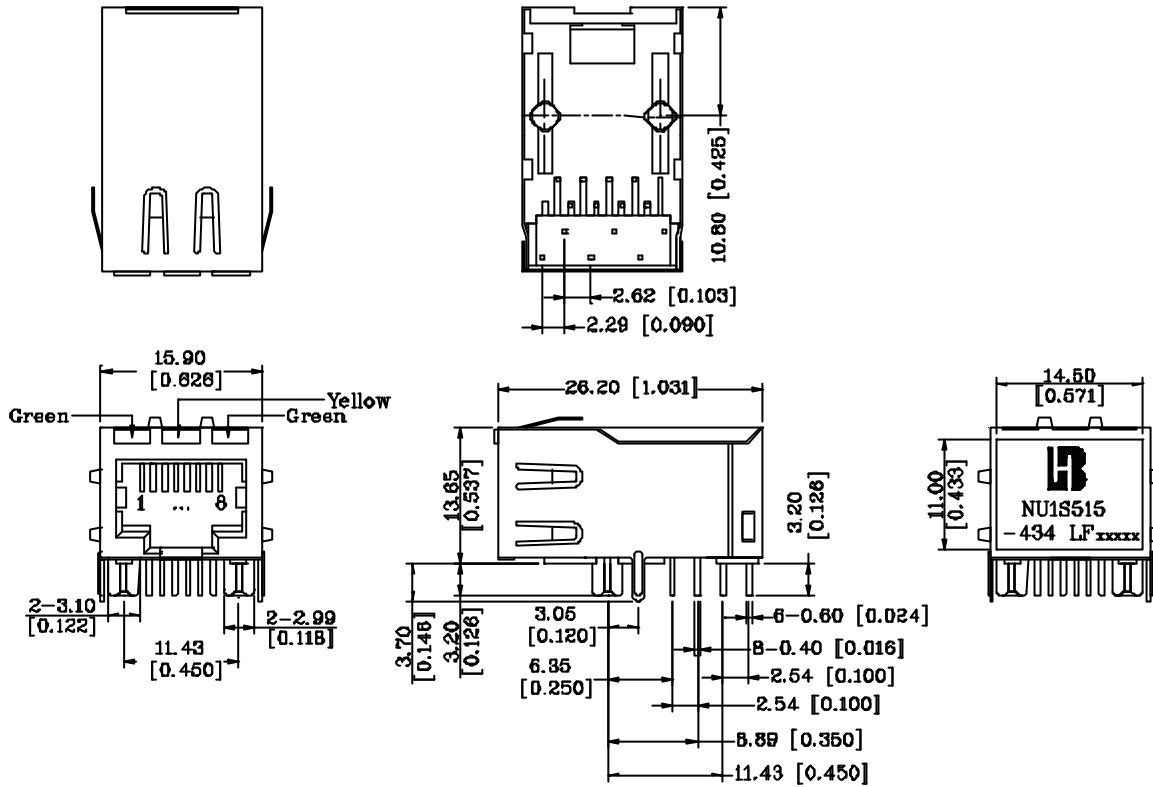
Block Circuit x 1 set in NU1S515-434 LF





P/N: NU1S515-434 LF

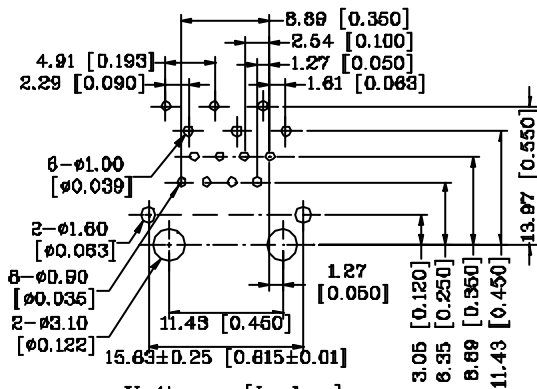
Mechanical



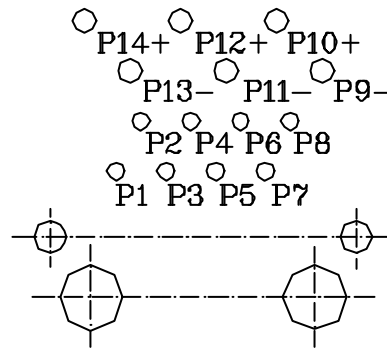
Units: mm [Inches] Tolerances: xx.x0±0.25 [0.010]
0.xx±0.05 [0.002]

1. Plastic Material : Thermoplastic (UL 94V-0), Black Housing.
2. Metal Shield : Brass, 20u inches thick Nickel
3. Spring Wire : Phosphor bronze with selective gold plating
4. Solder Pin : 0.4x0.4mm, Phosphor bronze with solder Plated
5. Durability : 750 Mating cycles Min.

PCB Layout Mounting Hole(Top View)



Units: mm [Inches]
Tolerances: xx.x0±0.25 [0.010]
0.xx±0.05 [0.002]



Zoom