

FEATURES

- Compact Size: (L)115*(W)55*(H)34mm
- Efficiency Over 82%
- Over-Voltage Protective Installation
- Short-circuit Protective Installation
- Protection Type: Auto-Recover
- Standard Car Plug

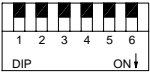
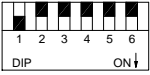
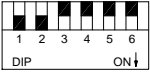
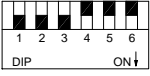





SPECIFICATION

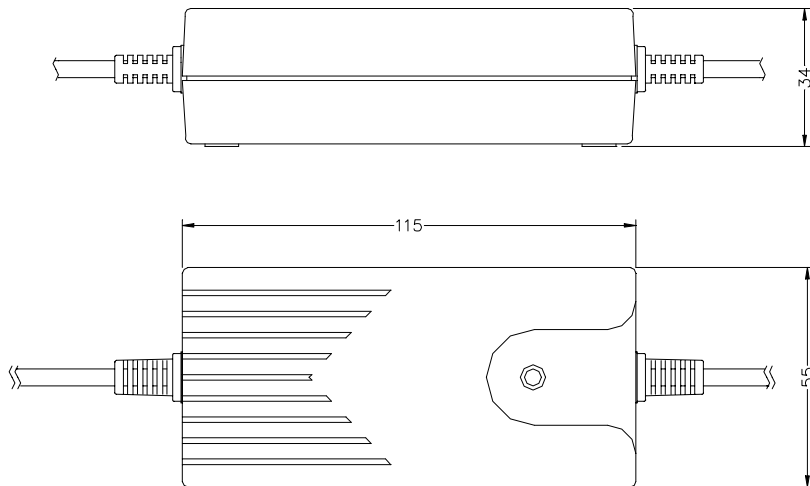
Item	Model	ED1000
Output Voltage		+15V~24V(Selected by DIP Switch)
Output Current		2.5A~3.0A
Input Voltage		DC 11V~16V
Input Current		7.0A Maximum
Line Regulation		2% Maximum
Load Regulation		± 5%
Ripple & Noise		300mV Maximum
Efficiency		85% Typical
Temperature Coefficient		0.05%/°C
Over-Voltage Protection		28V Maximum
Operating Temperature		0~40°C
Storage Temperature		-20~85°C
Safety Description		CE

(*) : Under Development (I/P) : In Process

OUTPUT VOLTAGE & CURRENT

DIP Switch Position	Output Voltage	Output Current	
		MIN	MAX
	+15V	0A	3.00A
	+16V	0A	3.12A
	+18V	0A	3.20A
	+19V	0A	3.16A
	+20V	0A	3.00A
	+22V	0A	2.72A
	+24V	0A	2.50A

MECHANICAL



Unit: m.m.

<

Bothhand USA. e-mail: sales@bothhandusa.com <http://www.bothhand.com>

462 Boston St - Topsfield, MA 01983 - Phone: 978-887-8050 - Fax: 978-887-5434