

SA07 Series 6-15 Watt Switching Adapter



## FEATURES

Removable AC Plug ( Reduce Stock )  
 Cispr 22' B' , Vcci' B' , Fcc' B' Compliance  
 Light Weight: 200g only (Without AC Plug)  
 Efficiency Over 83%  
 Over-Voltage Protective Installation  
 Short-circuit Protective Installation  
 Protection Type: Auto-Recover  
 Operating Temperature 0 ~40

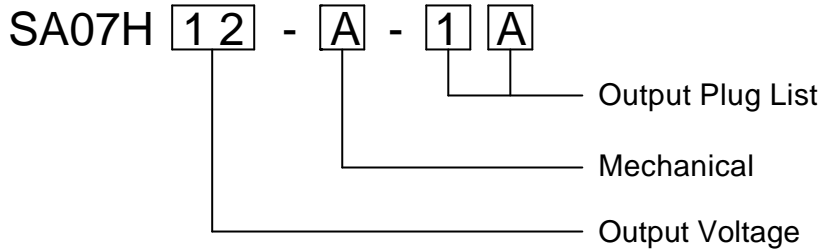


## SPECIFICATION

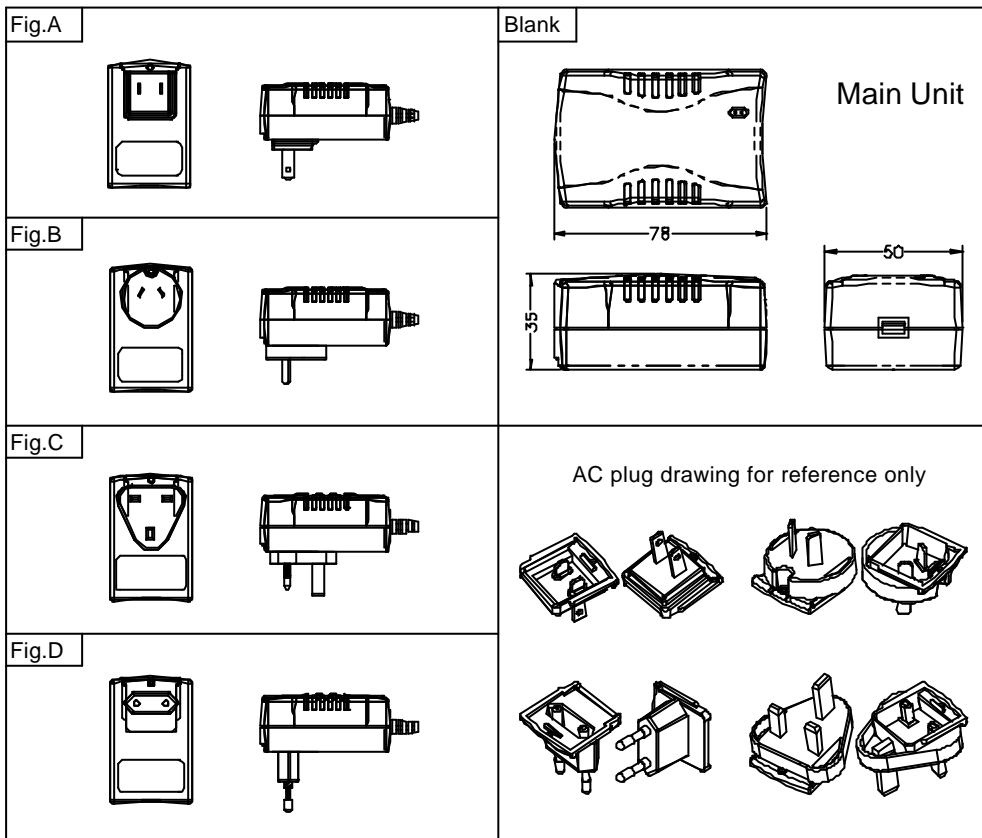
Item \ Model	SA07H12~17	SA07H17~24	
Output Voltage	12V~17V	17V~24V	
Output Rating	24W Max	24W Max	
Input Voltage	AC 90~264V		
Input Frequency	47~63Hz		
Input Current	0.8A Maximum		
Inrush Current	60A Maximum		
Line Regulation	2% Maximum		
Load Regulation	± 5%		
Ripple & Noise	1% Maximum		
Efficiency	83% Typical	84% Typical	
Temperature Coefficient	0.05%/		
Over-Voltage Protection	24V~34V Maximum	34V~48V Maximum	
Operating Temperature	0~40		
Storage Temperature	-20~85		
Safety Description	Fig. A	UL, CUL, CB, BSMI, LPS, CE, PSE ( < 15V )	UL, CUL, CB, BSMI, LPS, CE
	Fig. B	CB, BSMI, LPS, CE	
	Fig. C	BSI, CB, BSMI, LPS, CE	
	Fig. D	TUV, CB, BSMI, LPS, CE	

(\*): Under Development (P): In Process

ORDERING INFORMATION



MECHANICAL



Unit: m.m.

Standard Output Cable:  
20AWG, UL 2468, 1800mm

## FEATURES

Removable AC Plug ( Reduce Stock )  
 Cispr 22' B' , Vcci' B' , Fcc' B' Compliance  
 Light Weight: 130g only (Without AC Plug)  
 Efficiency Over 70%  
 Over-Voltage Protective Installation  
 Short-circuit Protective Installation  
 Protection Type: Auto-Recover  
 Operating Temperature 0 ~40

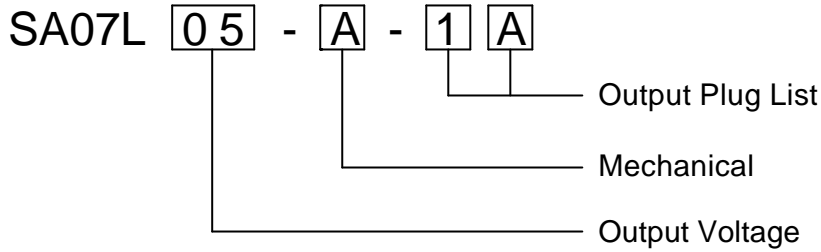


## SPECIFICATION

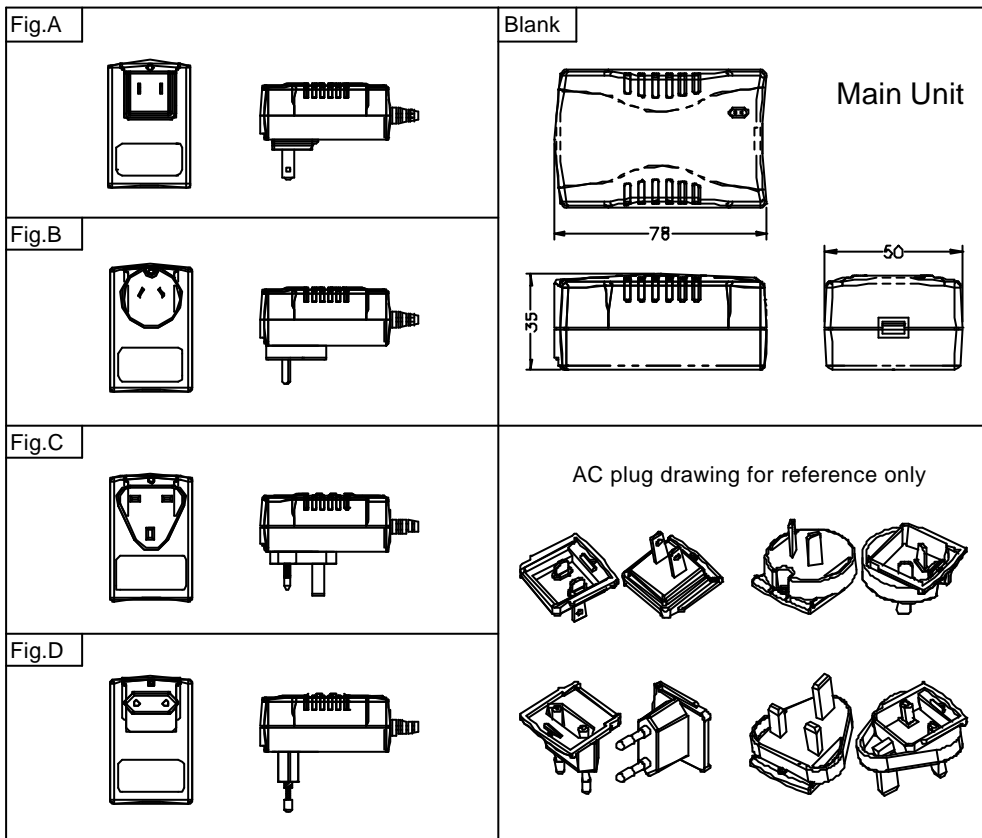
Item	Model	SA07L04~07
Output Voltage		+4V~7V
Output Rating		6W Max
Input Voltage		AC 90~264V
Input Frequency		47~63Hz
Input Current		0.3A Maximum
Inrush Current		30A Maximum
Line Regulation		2% Maximum
Load Regulation		± 5%
Ripple & Noise		1% Typical
Efficiency		67% Typical
Temperature Coefficient		0.05%/
Over-Voltage Protection		8V~14V Maximum
Operating Temperature		0~40
Storage Temperature		-20~85
Safety Description	Fig. A	UL, CUL, CB, LPS, BSMI, CE, PSE
	Fig. B	C-TICK, CB, LPS, BSMI, CE
	Fig. C	BSI, CB, LPS, BSMI, CE
	Fig. D	TUV, CB, LPS, BSMI, CE

(\*): Under Development (P): In Process

ORDERING INFORMATION



MECHANICAL



Unit: m.m.

Standard Output Cable:  
20AWG, UL 2468, 1800mm

## FEATURES

Removable AC Plug ( Reduce Stock )  
 Cispr 22' B' , Vcci' B' , Fcc' B' Compliance  
 Light Weight: 150g only (Without AC Plug)  
 Efficiency Over 70%  
 Over-Voltage Protective Installation  
 Short-circuit Protective Installation  
 Protection Type: Auto-Recover  
 Operating Temperature 0 ~40

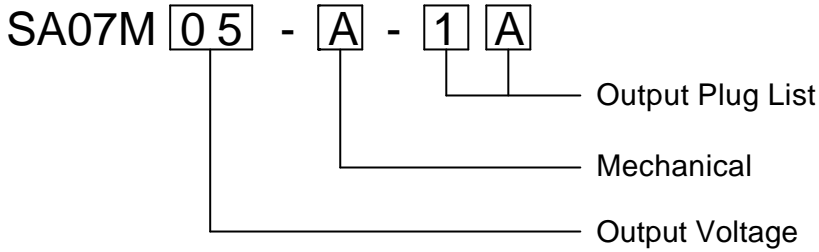


## SPECIFICATION

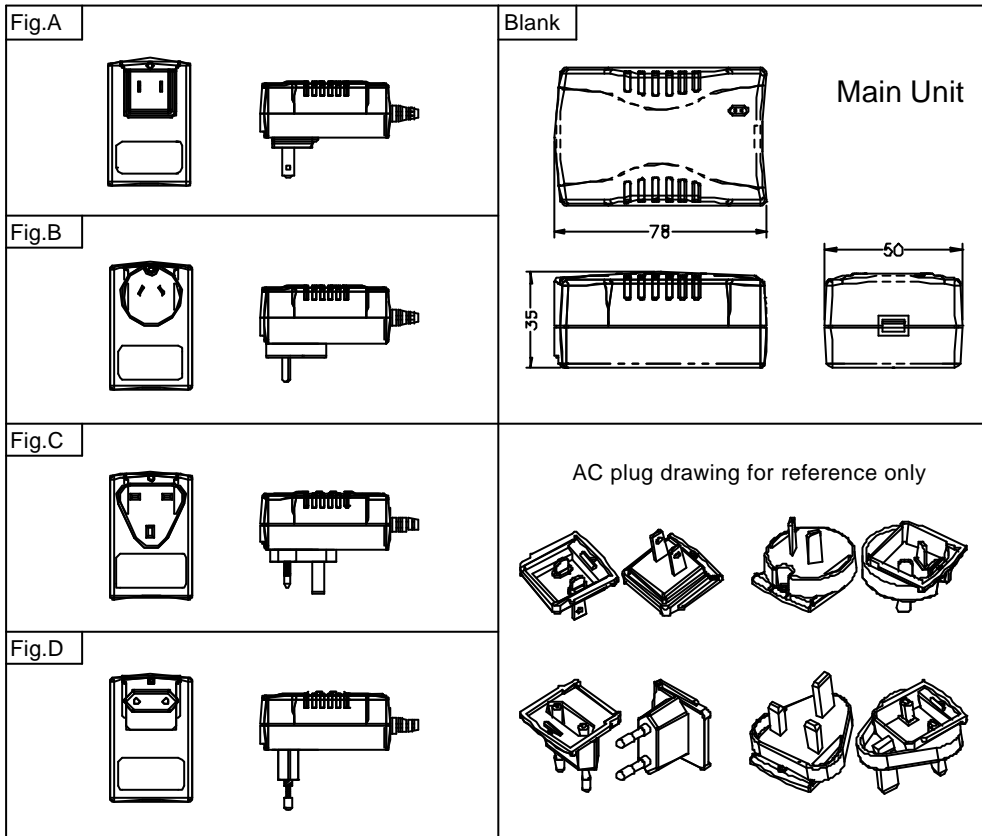
Model	SA07M05~07	* SA07M07~09	* SA07M09~12	* SA07M12~17	* SA07M17~24	
Item						
Output Voltage	+5V~7V	+7V~9V	+9V~12V	+12V~17V	+17V~24V	
Output Rating	14W Max	14W Max	19W Max	19W Max	19W Max	
Input Voltage	AC 90~264V					
Input Frequency	47~63Hz					
Input Current	0.6A Maximum					
Inrush Current	40A Maximum					
Line Regulation	2% Maximum					
Load Regulation	± 5%					
Ripple & Noise	1% Typical					
Efficiency	72% Typical	72% Typical	76% Typical	76% Typical	77% Typical	
Temperature Coefficient	0.05%/					
Over-Voltage Protection	10V~48V Maximum					
Operating Temperature	0~40					
Storage Temperature	-20~85					
Safety Description	Fig. A	UL, CUL, CB, BSMI, LPS, CE, FCC, PSE	---	---	---	---
	Fig. B	CB, BSMI, LPS, CE	---	---	---	---
	Fig. C	BSI, CB, BSMI, LPS, CE	---	---	---	---
	Fig. D	TUV, CB, BSMI, LPS, CE	---	---	---	---

(\*): Under Development (P): In Process

ORDERING INFORMATION



MECHANICAL



Unit: m.m.

Standard Output Cable:  
 5V~7V: 18AWG, UL SPT-1, 1800mm.  
 12V~24V: 20AWG, UL 2468, 1800mm.