



### 40 PIN SMD ETHERNET 10/100 BASE QUAD PORT TRANSFORMER

#### P/N: 40SS1064A LF DATA SHEET

#### Feature



- IEEE 802.3 Ethernet compatible, 100 BASE-TX
- Surface mountable.
- Design for multi-port repeater and Ethernet switching Hub application.
- Customer designs available for specific application.
- Comply with RoHS requirements-whole part No Cd, No Hg, No Cr6+, No PBB and PBDE and No Pb on external pins.
- Comply with Air reflow profile of JEDEC 020C.
- Operating temperature range : 0 to +70 .
- Storage temperature range: -25 to +125 .

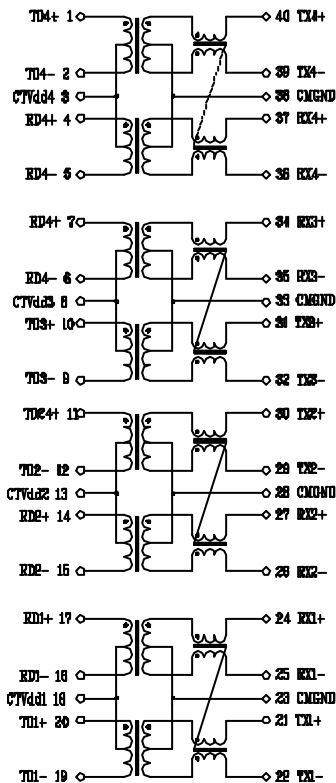
#### Electrical Specifications @ 25°C

Part Number	Turns Ratio (±5%)		OCL(uH Min) @100KHz/0.1Vrms 8mA DC/Bias	L.L (uH Max)	C <sub>ww</sub> (pF Max)	HI-POT (Vrms)
	TX	RX				
40SS1064ALF	1CT:1CT	1CT:1CT	400	0.4	56	1500

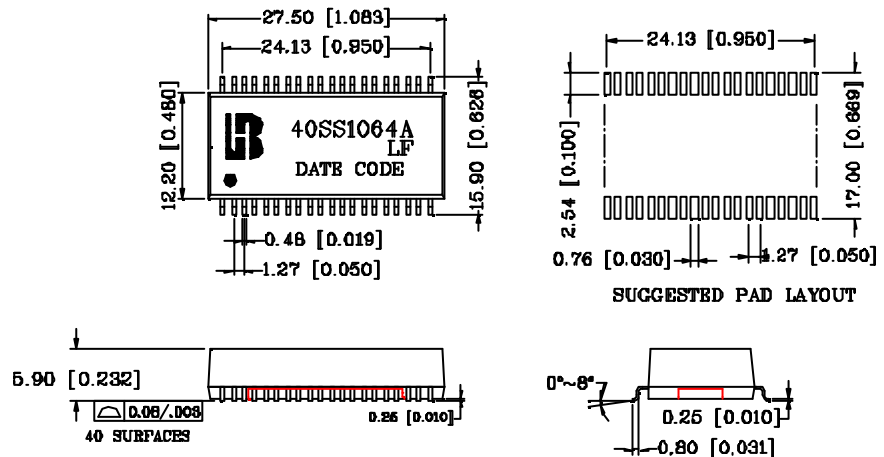
#### Continue

Part Number	Insertion Loss (dB Max)	Return Loss (dB Min)			Cross talk (dB Min)		DCMR (dB Min)		
		0.3-100MHz	0.3-30MHz	30-60MHz	60-80MHz	0.3-60MHz	60-100MHz	60MHz	100MHz
40SS1064ALF	-1.15	-16	-12	-10	-40	-28	-37	-28	-25

#### Schematic



#### Mechanical



Units: mm [Inches] Tolerances: xx.x0±0.25[0.010]  
0.xx±0.05[0.002]