

# T1/E1/CEPT/ISDN-PRI TRANSFORMER

## P/N: 4S1124 DATA SHEET

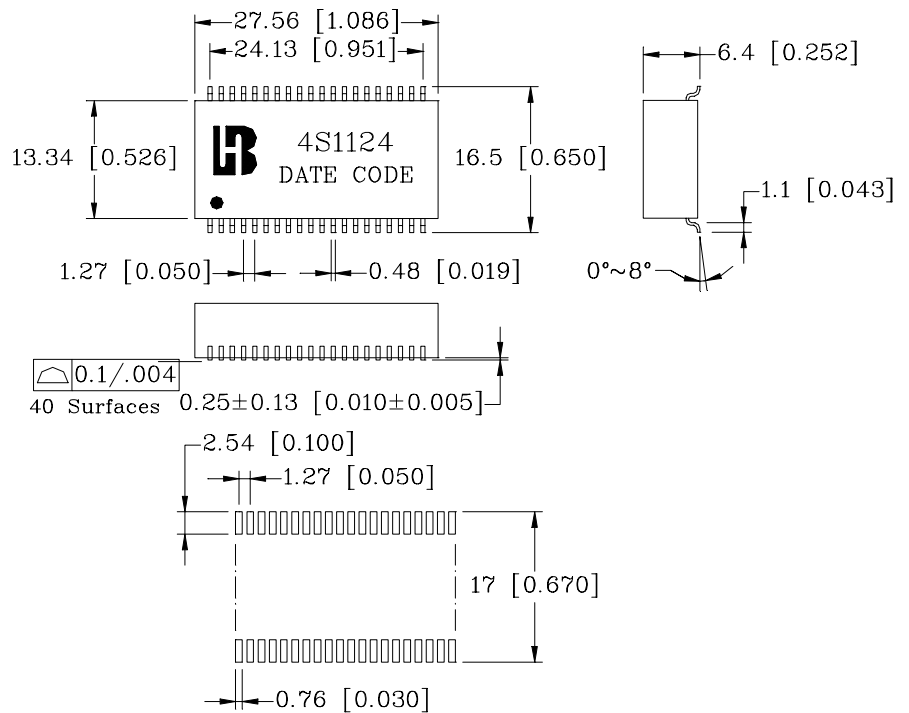
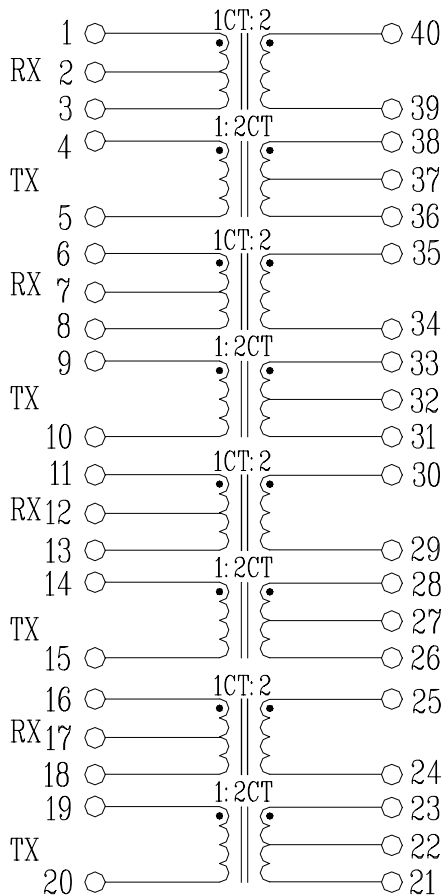
### A. General Specifications

1. Eight transformers in a surface mount package supports four transmit and four receive channels
2. Cross talk : -65dB or better
3. Models matched to leading quad and dual T1/E1/CEPT/ISDN-PRI transceivers .
4. Operating temperature range: 0°C to +70°C

### B. Electrical Specifications @ 25°C

1. Isolation HI-POT: 1500 Vrms
2. Turns Ratio( $\pm 2\%$ ) : TX=1:2CT , RX=1CT:2
3. TX/RX OCL. :1.2 mH Min /1.2 mH Min
4. TX/RX. Cw/w: 35 pF Max/35 pF Max
5. TX/RX L/L: 0.6  $\mu$ H Max/0.6  $\mu$ H Max
6. TX. Primary Pins: 4-5,9-10,14-15,19-20
7. RX. Primary Pins : 1-3,6-8,11-13,16-18

### C. Schematic & Mechanical



PCB Suggest pad layout Dimensions: mm[Inches]  
 Unless otherwise specified, all tolerances are  $\pm 0.25$ [0.01]