



T1/CEPT/ISDN-PRI TRANSFORMER

### P/N: S4941 DATA SHEET

#### Feature



- Single through hole models available.
- Models matched to leading transceiver ICs.
- Operating temperature range: 0°C to +70°C.
- Storage temperature range: -25°C to +125°C.

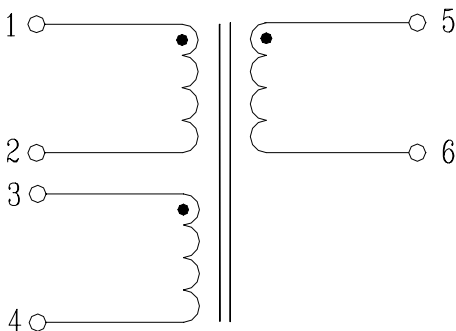
#### Electrical Specifications @ 25°C

Part Number	Turns Ratio (±3%)	OCL(mH Min) @10KHz/0.05V	C <sub>w/w</sub> (pF Max) @140KHz	L.L (uH Max) @1MHz
	(5-6):(1-2):(3-4)	(5-6)		
S4941	1:0.63:0.63	1.5	30	0.50

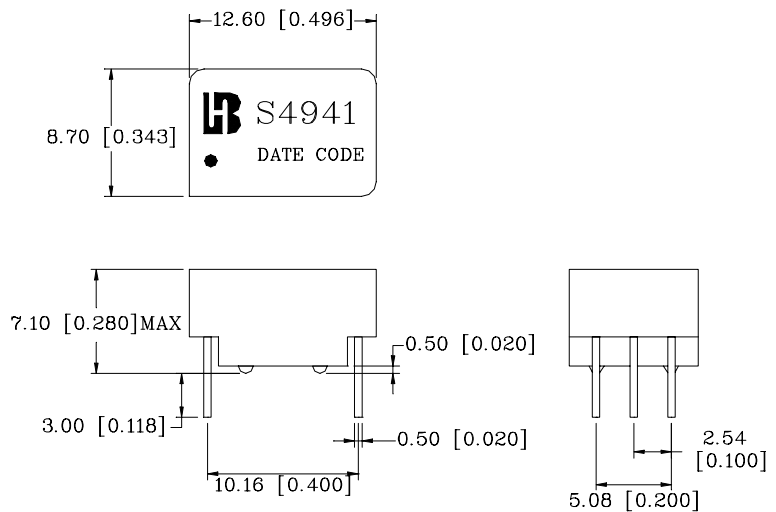
#### Continue

Part Number	IR (GΩ Min) @500VDC	ET (V-uS Max)	DCR (Ω Max)		HI-POT (Vrms)
			5-6	1-2&3-4	
S4941	10	10	0.70	0.50	1500

#### Schematic



#### Mechanical



Units: mm[Inches] Tolerances: xx.x0±0.25[0.010]  
0.xx±0.05[0.002]