

**P/N: S5013 DATA SHEET****Feature**

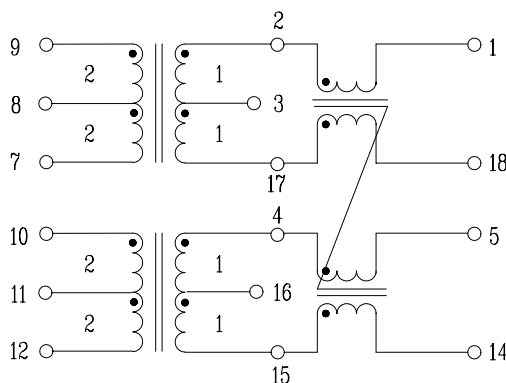
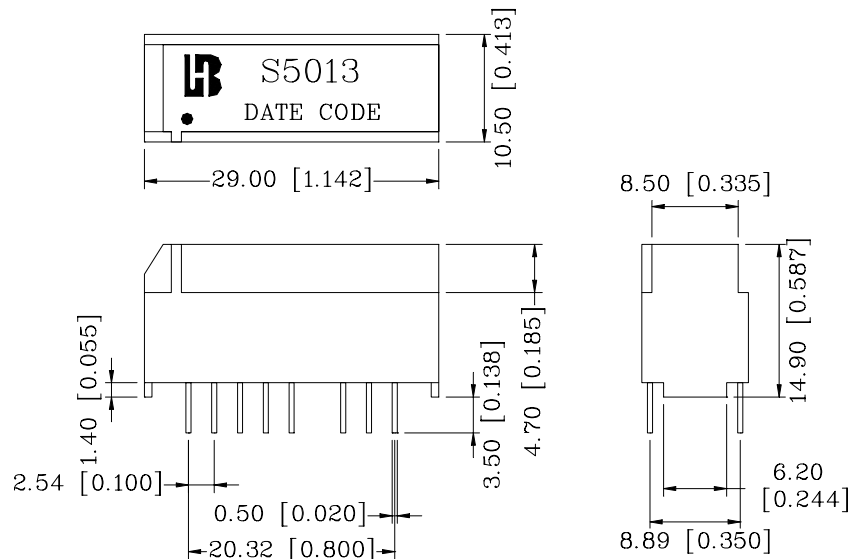
- Operating temperature range: -0 to +70
- Storage temperature range: -25 to +125 .

Electrical Specifications@25°C

Part Number	Turns Ratio (±1%)		OCL @ 10KHz/0.1Vrms		L.L (uH Max) @ 100KHz/0.1Vrms	Choke L.L (uH Max) @ 100KHz/0.1Vrms
	9-7:2-17 10-12:4-15	1-2:18-17 5-4:14-15	2-17,4-15	1-2,17-18,4-5,14-15	2-17,4-15(9-7,10-12Short)	2-17,4-15(1-18,5-14Short)
S5013	2:1	1:1	30 mH Min	5 mH (+50/-30%)	3	0.6

Continue

Part Number	C _{ww} (pF Max) @ 10KHz/0.1Vrms	DCR(Typ)			HI-POT (Vrms 0.5mA)	
	1-9,5-10	2-3,3-17,4-16, 15-16	9-8,10-11	1-2, 4-5, 14-15,17-18	2-9,4-10	3-16(1-9,5-10 short)
S5013	120	0.6	2.5	1.05	1500	500

Schematic**Mechanical**

Units: mm[Inches] Tolerance: xx.x0±0.25[0.010]
0.xx±0.05[0.002]