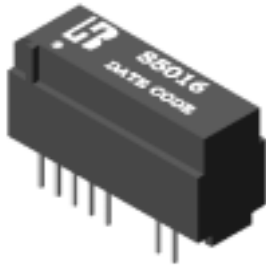


**P/N:S5016 DATA SHEET****Feature**

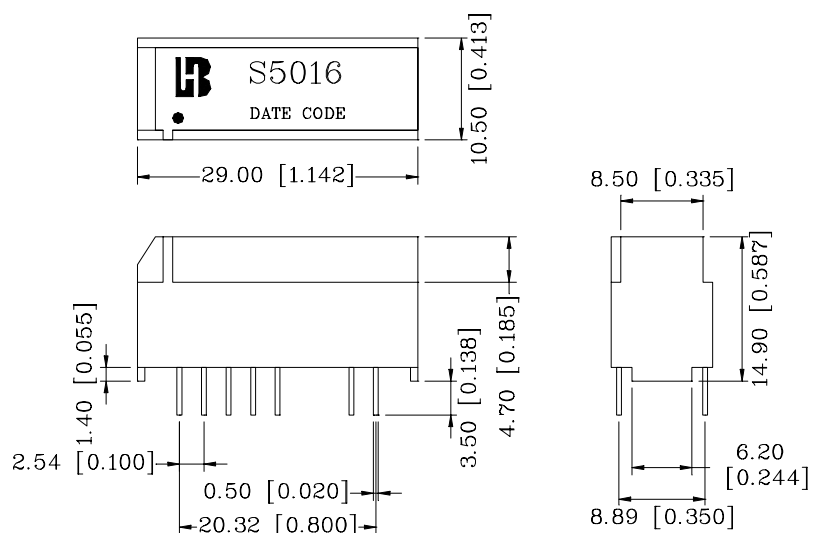
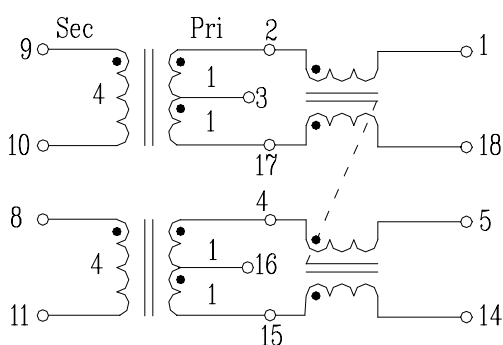
- Operating temperature range: 0°C to +70°C
- Storage temperature range: -25°C to +125°C.

Electrical Specifications@25°C

Part Number	Turns Ratio (±1%)		OCL (mH)		L.L (uH Max)	Choke L.L (uH Max)
	9-10:2-17 8-11:4-15	1-2:18-17 5-4:14-15	2-17/4-15	1-2/17-18/4-5/14-15	2-17/4-15(9-10/8-11Short)	1-2/4-5(17-18/14-15Short)
S5016	2:1	1:1	22(Min)	5 (+50%/-30%)	4	0.6

Continue

Part Number	C _{ww} (pF Max)	DCR (Ω Max)			HI-POT (Vrms)	
	1-9/5-8	2-17/4-15	9-10/8-11	1-2/17-18/4-5/14-15	2-9/4-8	3-16(1-9/5-8 short)
S5016	120	4	5.5	1.3	1500	500

Schematic**Mechanical**

Units: mm[Inches] Tolerance: xx.x0±0.25[0.010]
0.xx±0.05[0.002]