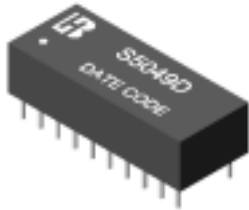


**P/N: S5049D DATA SHEET****Feature**

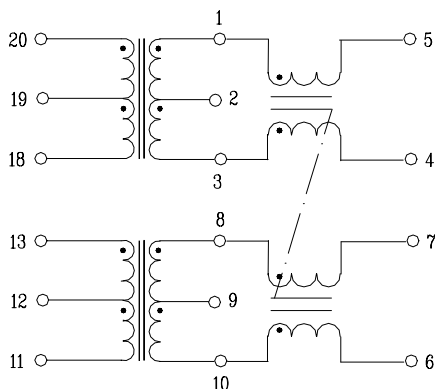
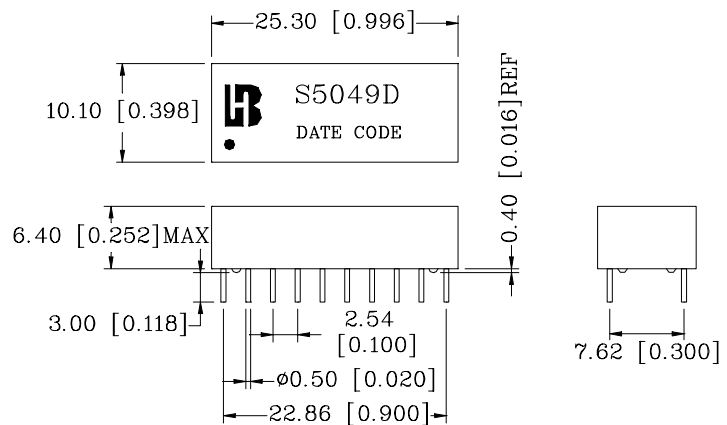
- Meets the pulse waveform template of CCITT 1.430 when recommended transformer and chip pair and used
- Developed for enhanced EMC performance.
- Low or High frequency choke options available.
- Operating temperature range: 0°C to +70°C
- Storage temperature range: -25°C to +105°C.

Electrical Specifications@25°C

Part Number	Turns Ratio Pri : Sec(±1%)	OCL (mH Min)		L.L. (uH Max)
		Primary	Choke(Typ)	Sec
S5049D	1CT: 1CT	30	4.7	10

Continue

Part Number	C _{www} (pF Max)	DCR (Ω Max)			Secondary Pins	HI-POT (Vrms)
		Pri	Sec	Choke		
S5049D	150	3.4±25%	3.4 ±25%	1.4	(20-18) &(13-11)	1500

Schematic**Mechanical**

Units: mm [Inches] Tolerances xx.x0±0.25 [0.010]
0.xx±0.05 [0.002]