

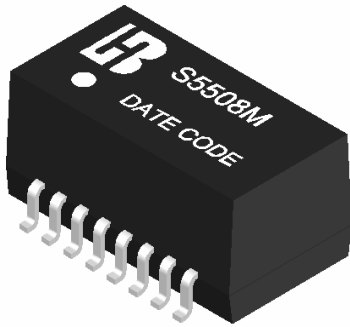


S5508M

### FIBRE CHANNEL DUAL TRANSFORMER

### P/N: S5508M DATA SHEET

#### Feature



- For Use with 75Ω Coaxial Cable.
- Designed for fast rise time and low baseline wander.
- Pick & Place compatible.
- Operating temperature range: -40°C to +85°C.
- Storage temperature range: -40 to +125 .

#### Electrical Specifications @ 25°C

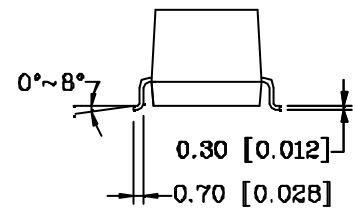
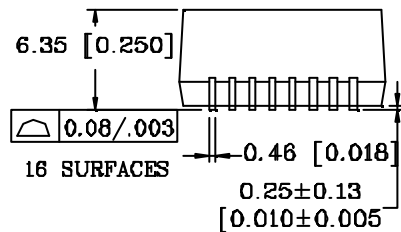
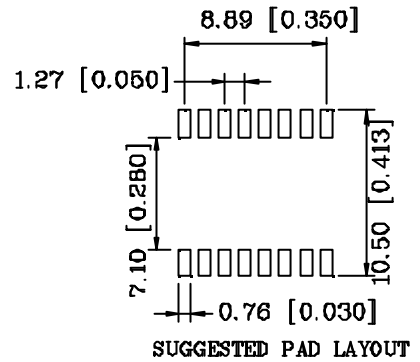
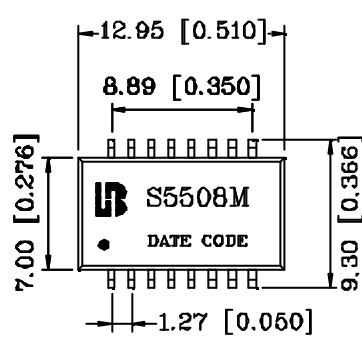
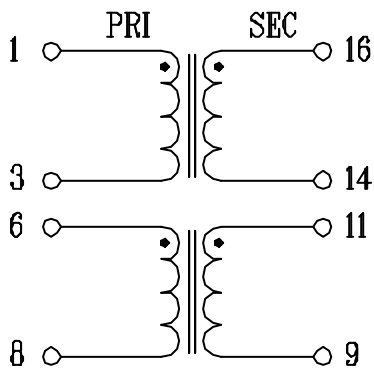
Part Number	Turns Ratio (±5%)	OCL (uH Min)	L.L (uH Max) Sec
S5508M	1:1	7.5	0.10

#### Continue

Part Number	C <sub>www</sub> (pF Max)	DCR (Ω Max)	HI-POT (V <sub>rms</sub> )
S5508M	5.0	0.20	2000

#### Schematic

#### Mechanical



Units: mm [Inches] Tolerances: xx.x0±0.25 [0.010]  
 0.xx±0.05 [0.002]