

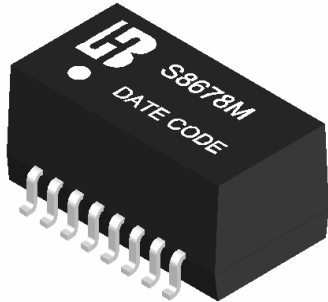


S8678M

### T1/E1/CEPT/ISDN-PRI TRANSFORMER

### P/N:S8678M DATA SHEET

#### Feature



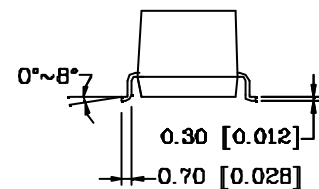
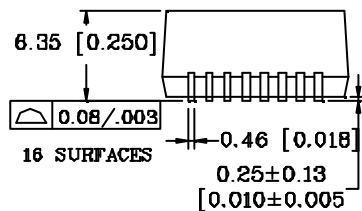
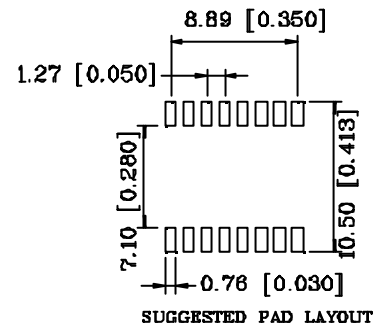
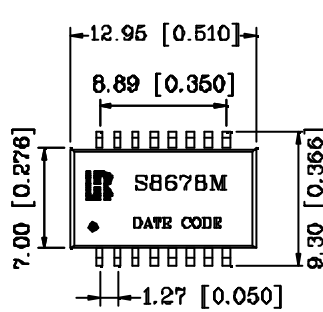
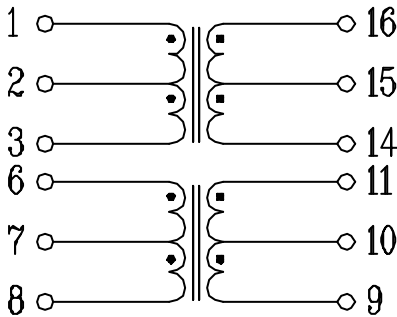
- Dual SMT package contains both transmit and receive transformers.
- Models matched to leading transceiver ICs.
- At-40°C, OCL is 600uH minimum. All other parameters are specified at +25°C.
- Operation temperature range: -40°C to +85°C.
- Storage temperature range: -40 to +125 .

Electrical Specifications @ 25°C					
Part Number	Turns Ratio (±5%)		PRI OCL (mH Min)	LL (uH Max)	C <sub>www</sub> (pF Max)
	(16-14): (1-3)	(6-8): (11-9)			
S8678M	1CT:1CT	1CT:2CT	1.2	0.6	30

Continue			
Part Number	PRI DCR ( max)	Primary pins	HI-POT (Vrms)
S8678M	0.7	(16-14), (6-8)	1500

#### Schematic

#### Mechanical



Units: mm[Inches] Tolerances: xx.x0±0.25[0.010]  
0.xx±0.05[0.002]