



GENERAL PURPOSE TRANSFORMER

P/N: TF1008S DATA SHEET

Feature

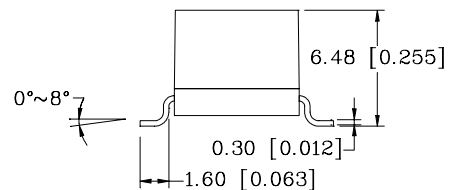
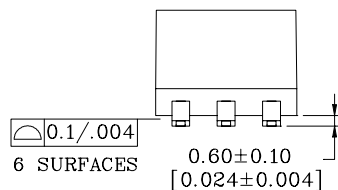
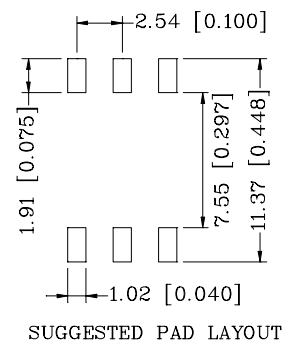
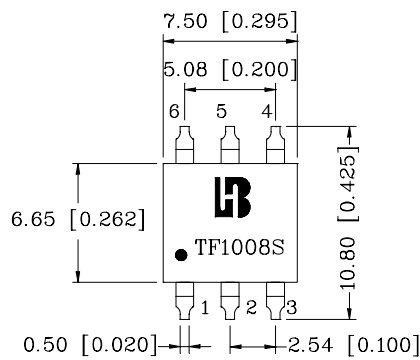
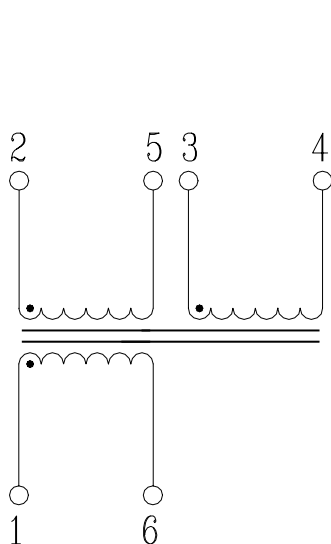


- Wide range of inductors and turns ratios.
- Suitable for a variety of applications.
- High flux density capability.
- Available in through hole and surface mount packages.
- Operating Temperature range:-40°C to +85°C
- Storage temperature range: -40°C to +125°C

Electrical Specifications @ 25°C				
Part Number	Turns Ratio (PRI:SEC±5%)	Primary Sine Wave OCL (mH Min)	Cw/w (pF Max)	L.L (μH Max.) @100KHz/0.2Vrms
TF1008S	1:1:1	0.5	25	0.3
Continue				
Part Number	Primary ET-Constant (v-us Min)	Rise Time (nS Max)	DCR(Ω Max)	HI-POT (Vrms)
TF1008S	5.0	4.2	0.9	1500

Schematic

Mechanical



Units: mm [Inches] Tolerances: xx.x0±0.25 [0.010]
0.xx±0.05 [0.002]